

IP 20       RoHS

TALEXconverter LCU 150 W 12/24 V indoor IP20 Constant voltage

Product description

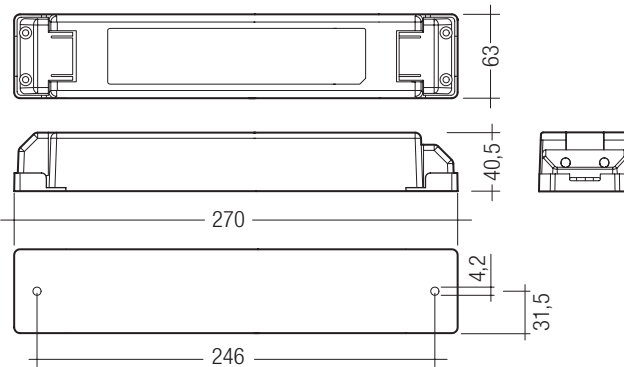
- Constant voltage converter
- Universal input voltage range
- Constant output voltage

Properties

- High efficiency
- Low power loss
- Overtemperature and overload protection
- Short-circuit shutdown feature with automatic restart
- Protection class 2, SELV
- Type of protection IP20

Technical data

Rated supply voltage	120 – 240 V
Input voltage, AC	108 – 264 V
Input voltage, DC	120 – 240 V
Rated current (at 230 V 50 Hz)	0.77 A
Mains frequency	0 / 50 / 60 Hz
Efficiency	> 88 %
λ	0.95
Output voltage tolerance	+ 10 %
Output power	150 W
Output power range	20 – 150 W
Turn on time (output)	≤ 0.5 s
Turn off time (output)	≤ 1 s
Hold on time at power failure (Output)	10 ms
Ambient temperature t_a	-25 ... +50 °C
Max. casing temperature t_c	80 °C
Storage temperature	-30 ... +85 °C
Weight	0.8 kg
Dimensions LxWxH	270 x 63 x 40.5 mm
Hole spacing D	246 mm



Ordering data

Type	Article number
LCU 150/12 E020	24166332
LCU 150/24 E020	24166333

Packaging 12 V: 20 pieces/carton, 640 pieces/pallet

Packaging 24 V: 20 pieces/carton, 480 pieces/pallet

Specific technical data

Type	Output voltage	Max. input power	Output current range
LCU 150/12 E020	12 V	176 W	1.25 – 12.50 A
LCU 150/24 E020	24 V	174 W	0.62 – 6.25 A

Standards

EN 55015
 EN 61000-3-2
 EN 61000-3-3
 EN 61347-1
 EN 61347-2-13
 EN 61547
 EN 62384

Over temperature protection

Automatic shutdown of the converter if the temperature limit is exceeded.
 Automatic restart if the temperature falls below the limit.

Overload protection

Automatic shutdown of the converter if the maximum output current is exceeded.
 Automatic restart if the output current is below the limit.

Maximum loading of automatic circuit breakers

Automatic circuit breaker type	C10	C13	C16	C20	B10	B13	B16	B20
Installation Ø	1.5 mm ²	1.5 mm ²	1.5 mm ²	2.5 mm ²	1.5 mm ²	1.5 mm ²	1.5 mm ²	2.5 mm ²
LCU 150/0012 E020	4	4	7	8	2	2	3	4
LCU 150/0024 E020	6	8	10	12	3	4	5	6

Wiring diagram

