

IP67 SELV 

TALEXconverter LCU 100 W 8/12/24 V outdoor IP67  
TALEXconverter IN-BUILT LCU

## Product description

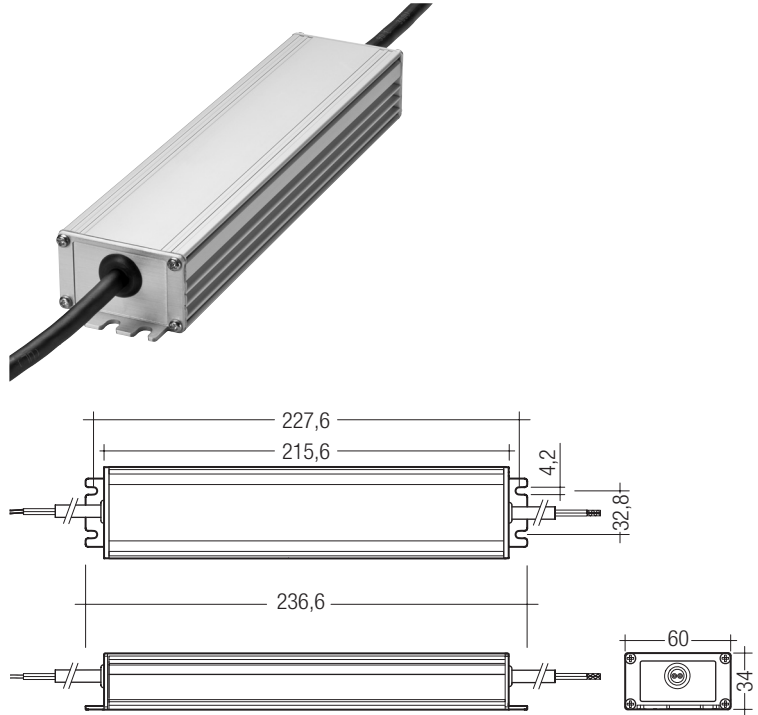
- Constant voltage converter
- Universal input voltage range
- Constant output voltage
- Connection: Cable with end sleeves (length approx. 2,000 mm)
- Polarity identifiers, secondary + red / – black
- Metal casing, encapsulated

## Properties

- High efficiency
- Low power loss
- Overtemperature protection with automatic restart
- Overload protection
- Short-circuit protection with automatic restart
- SELV
- Type of protection IP67

## Technical data

Rated supply voltage	120 – 240 V
Input voltage, AC	108 – 264 V
Input voltage, DC	120 – 240 V
Rated current (at 230 V 50 Hz)	0.55 A
Mains frequency	0 / 50 / 60 Hz
Efficiency	> 85 %
$\lambda$ (at 230 V 50 Hz)	0.95
Output voltage tolerance	+ 10 %
Output power	100 W
Output power range	10 – 100 W
Turn on time (output)	$\leq$ 0.5 s
Turn off time (output)	$\leq$ 1 s
Hold on time at power failure (Output)	10 ms
Ambient temperature $t_a$	-25 ... +50 °C
Ambient temperature $t_a$ (at lifetime 50,000 h)	-25 ... +40 °C
Storage temperature	-30 ... +85 °C
Weight	1.2 kg
Dimensions LxWxH	237 x 60 x 34 mm
Hole spacing D	228 mm



## Ordering data

Type	Article number
LCU 100/08 D010	24166325
LCU 100/12 D010	24166326
LCU 100/24 D010	22185185

Packaging: 10 pieces/carton, 300 pieces/pallet

## Specific technical data

Type	Max. casing temperature $t_c$	Output voltage	Max. input power	Output current range
LCU 100/08 D010	85 °C	8 V	118 W	1.25 – 12 A
LCU 100/12 D010	85 °C	12 V	118 W	0.80 – 8 A
LCU 100/24 D010	65 °C	24 V	118 W	0.40 – 4 A

**Standards**

EN 55015  
 EN 61000-3-2  
 EN 61000-3-3  
 EN 61347-1  
 EN 61347-2-13  
 EN 61547  
 EN 62384

**Overload protection**

Automatic shutdown of the converter if the maximum output current is exceeded.  
 Automatic restart if the output current is below the limit.

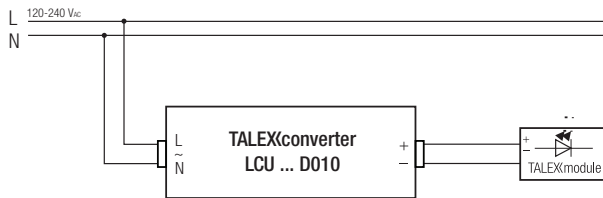
**Over temperature protection**

Automatic shutdown of the converter if the temperature limit is exceeded.  
 Automatic restart if the temperature falls below the limit.

**Maximum loading of automatic circuit breakers**

Automatic circuit breaker type	C10	C13	C16	C20	B10	B13	B16	B20	Inrush current	
									$I_{max}$	time
Installation Ø	1.5 mm <sup>2</sup>	1.5 mm <sup>2</sup>	1.5 mm <sup>2</sup>	2.5 mm <sup>2</sup>	1.5 mm <sup>2</sup>	1.5 mm <sup>2</sup>	1.5 mm <sup>2</sup>	2.5 mm <sup>2</sup>		
<b>LCU 100/08 D010</b>	4	6	8	10	2	3	4	5	248 A	0.075 ms
<b>LCU 100/12 D010</b>	6	8	12	14	3	4	6	7	81 A	0.180 ms
<b>LCU 100/24 D010</b>	6	8	10	12	3	4	5	6	98 A	0.140 ms

**Wiring diagram**

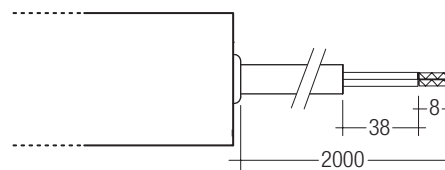


**Installation instructions**

The switching of LEDs on secondary side is not permitted.

**Connection**

Primary cable		Secondary cable	
L	N	+	-
brown	blue	red	black



**PRI:**

Ø 7.7 ±0.2 mm; 2 x 1.04 mm<sup>2</sup> (17 AWG)

**SEC:**

LCU 100/0008 D010:  
 Ø 8.7 ±0.2 mm; 2 x 2.08 mm<sup>2</sup> (14 AWG)

LCU 100/0012 D010 / LCU 100/0024 D010:  
 Ø 8 ±0.2 mm; 2 x 1.31 mm<sup>2</sup> (16 AWG)