

IP67 SELV     RoHS

TALEXconverter LCU 150 W 12/24 V outdoor IP67
TALEXconverter IN-BUILT LCU

Product description

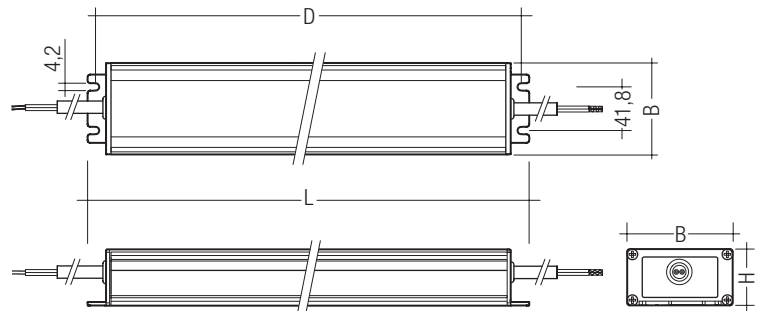
- Constant voltage converter
- Universal input voltage range
- Constant output voltage
- Connection: Cable with end sleeves (length approx. 2,000 mm)
- Polarity identifiers, secondary + red / – black
- Metal casing, encapsulated

Properties

- High efficiency
- Low power loss
- Overtemperature and overload protection
- Short-circuit shutdown feature with automatic restart
- SELV
- Type of protection IP67

Technical data

Rated supply voltage	120 – 240 V
Input voltage, AC	108 – 264 V
Input voltage, DC	120 – 240 V
Rated current (at 230 V 50 Hz)	0.77 A
Mains frequency	0 / 50 / 60 Hz
Efficiency	> 88 %
λ (at 230 V 50 Hz)	0.95
Output voltage tolerance	+ 10 %
Output power	150 W
Output power range	20 – 150 W
Turn on time (output)	\leq 0.5 s
Turn off time (output)	\leq 1 s
Hold on time at power failure (Output)	10 ms
Ambient temperature t_a	-25 ... +50 °C
Ambient temperature t_a (at lifetime 50,000 h)	-25 ... +40 °C
Storage temperature	-30 ... +85 °C
Weight	1.6 kg



Ordering data

Type	Article number
LCU 150/12 D010	24166331
LCU 150/24 D010	22185186

Packaging 12 V: 6 pieces/carton, 192 pieces/pallet

Packaging 24 V: 6 pieces/carton, 144 pieces/pallet

Specific technical data

Type	Max. casing temperature t_c	Output voltage	Max. input power	Output current range	Hole spacing D	Dimensions LxBxH
LCU 150/12 D010	85 °C	12 V	176 W	1.25 – 12.50 A	137.6 mm	247 x 69 x 38 mm
LCU 150/24 D010	70 °C	24 V	tbd	0.62 – 6.25 A	257.0 mm	270 x 70 x 37 mm

Standards

EN 55015
 EN 61000-3-2
 EN 61000-3-3
 EN 61347-1
 EN 61347-2-13
 EN 61547
 EN 62384

Overload protection

Automatic shutdown of the converter if the maximum output current is exceeded.
 Automatic restart if the output current is below the limit.

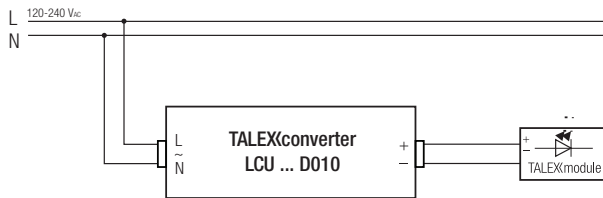
Over temperature protection

Automatic shutdown of the converter if the temperature limit is exceeded.
 Automatic restart if the temperature falls below the limit.

Maximum loading of automatic circuit breakers

Automatic circuit breaker type	C10	C13	C16	C20	B10	B13	B16	B20	Inrush current	
									I_{max}	time
LCU 150/12 D010	4	4	7	8	2	2	3	4	94.1 A	0.325 ms
LCU 150/24 D010	6	8	10	12	3	4	5	6	107.0 A	0.150 ms

Wiring diagram

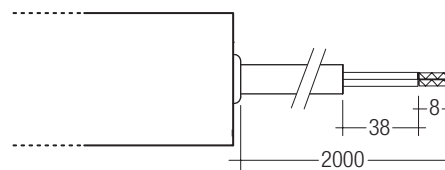


Installation instructions

The switching of LEDs on secondary side is not permitted.

Connection

Primary cable		Secondary cable	
L	N	+	-
brown	blue	red	black



PRI:

$\varnothing 7.7 \pm 0.2 \text{ mm}$; $2 \times 1.04 \text{ mm}^2$ (17 AWG)

SEC:

LCU 150/0012 D010:
 $\varnothing 8.7 \pm 0.2 \text{ mm}$; $2 \times 2.08 \text{ mm}^2$ (14 AWG)

LCU 150/0024 D010:
 $\varnothing 8 \pm 0.2 \text{ mm}$; $2 \times 1.31 \text{ mm}^2$ (16 AWG)