

IP67 SELV     RoHS

**TALEXconverter LCU 35 W 8/12 V outdoor IP67**  
TALEXconverter IN-BUILT LCU

### Product description

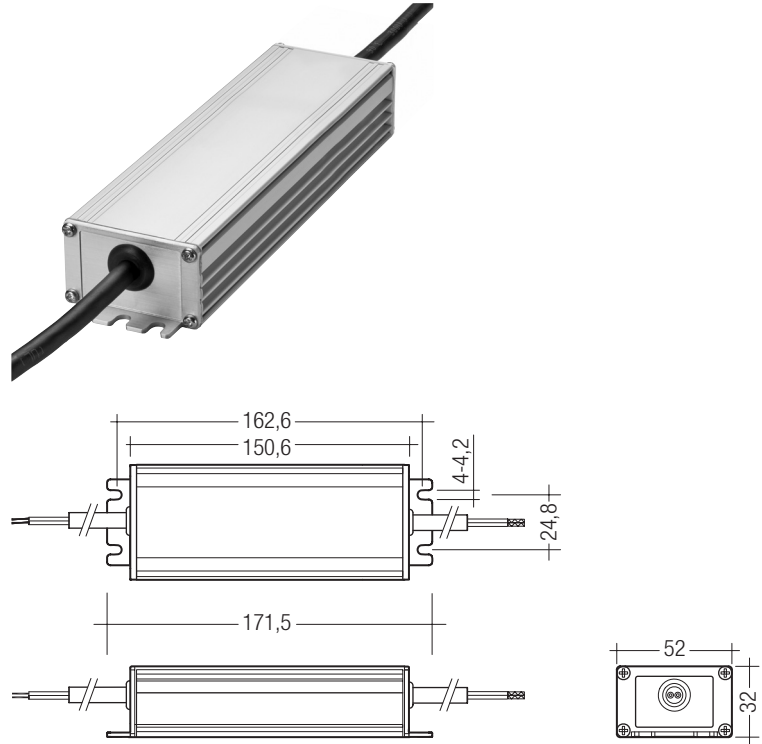
- Constant voltage converter
- Universal input voltage range
- Constant output voltage
- Connection: Cable with end sleeves (length approx. 500 mm)
- Polarity identifiers, secondary + red / – black
- Metal casing, encapsulated

### Properties

- High efficiency
- Low power loss
- Overtemperature and overload protection
- Short-circuit shutdown feature with automatic restart
- SELV
- Type of protection IP67

### Technical data

Rated supply voltage	120 – 240 V
Input voltage, AC	108 – 264 V
Input voltage, DC	120 – 240 V
Rated current (at 230 V 50 Hz)	0.2 A
Mains frequency	0 / 50 / 60 Hz
Efficiency	> 80 %
$\lambda$ (at 230 V 50 Hz)	> 0.91
Output voltage tolerance	+ 10 %
Output power	35 W
Output power range	3.5 – 35 W
Turn on time (output)	$\leq$ 0.5 s
Turn off time (output)	$\leq$ 1 s
Hold on time at power failure (Output)	10 ms
Ambient temperature $t_a$	-25 ... +50 °C
Ambient temperature $t_a$ (at lifetime 50,000 h)	-25 ... +40 °C
Storage temperature	-30 ... +85 °C
Weight	0.55 kg
Dimensions LxWxH	172 x 52 x 32 mm
Hole spacing D	163 mm



### Ordering data

Type	Article number
LCU 035/08 D010	24166317
LCU 035/12 D010	24166318

Packaging: 20 pieces/carton, 600 pieces/pallet

### Specific technical data

Type	Max. casing temperature $t_c$	Output voltage	Max. input power	Output current range
LCU 035/08 D010	80 °C	8 V	43 W	0.40 – 4.37 A
LCU 035/12 D010	80 °C	12 V	42 W	0.25 – 2.91 A

**Standards**

EN 55015  
 EN 61000-3-2  
 EN 61000-3-3  
 EN 61347-1  
 EN 61347-2-13  
 EN 61547  
 EN 62384

**Over temperature protection**

Automatic shutdown of the converter if the temperature limit is exceeded.  
 Automatic restart if the temperature falls below the limit.

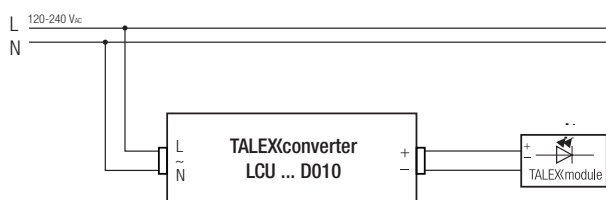
**Overload protection**

Automatic shutdown of the converter if the maximum output current is exceeded.  
 Automatic restart if the output current is below the limit.

**Maximum loading of automatic circuit breakers**

Automatic circuit breaker type	C10	C13	C16	C20	B10	B13	B16	B20	Inrush current	
									$I_{max}$	time
Installation Ø	1.5 mm <sup>2</sup>	1.5 mm <sup>2</sup>	1.5 mm <sup>2</sup>	2.5 mm <sup>2</sup>	1.5 mm <sup>2</sup>	1.5 mm <sup>2</sup>	1.5 mm <sup>2</sup>	2.5 mm <sup>2</sup>	90 A	0.095 ms
<b>LCU 035/0008 D010</b>	12	16	22	24	6	8	11	12	90 A	0.095 ms
<b>LCU 035/0012 D010</b>	12	16	22	24	6	8	11	12	90 A	0.095 ms

**Wiring diagram**

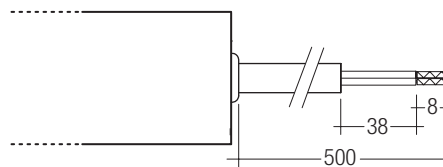


**Installation instructions**

The switching of LEDs on secondary side is not permitted.

**Connection**

Primary cable		Secondary cable	
L	N	+	-
brown	blue	red	black



**PRI:**

Ø 7.7 ±0.2 mm; 2x1.04 mm<sup>2</sup> (17 AWG)

**SEC:**

Ø 8 ±0.2 mm; 2x1.31 mm<sup>2</sup> (16 AWG)