

IP67 SELV  RoHS

TALEXconverter LCU 60 W 12/24 V outdoor IP67
TALEXconverter IN-BUILT LCU

Product description

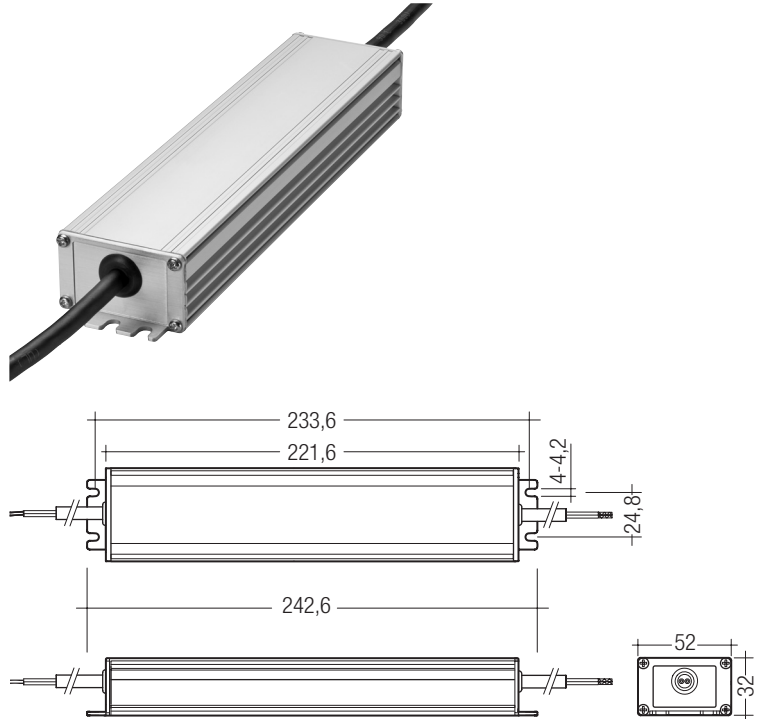
- Constant voltage converter
- Universal input voltage range
- Constant output voltage
- Connection: Cable with end sleeves (length approx. 500 mm)
- Polarity identifiers, secondary + red / – black
- Metal casing, encapsulated

Properties

- High efficiency
- Low power loss
- Overtemperature and overload protection
- Short-circuit shutdown feature with automatic restart
- SELV
- Type of protection IP67

Technical data

| | |
|--|------------------|
| Rated supply voltage | 120 – 240 V |
| Input voltage, AC | 108 – 264 V |
| Input voltage, DC | 120 – 240 V |
| Rated current (at 230 V 50 Hz) | 0.33 A |
| Mains frequency | 0 / 50 / 60 Hz |
| Efficiency | > 80 % |
| λ (at 230 V 50 Hz) | 0.93 |
| Output voltage tolerance | + 10 % |
| Output power | 60 W |
| Output power range | 5 – 60 W |
| Turn on time (output) | \leq 0.5 s |
| Turn off time (output) | \leq 1 s |
| Hold on time at power failure (Output) | 10 ms |
| Ambient temperature t_a | -25 ... +50 °C |
| Ambient temperature t_a (at lifetime 50,000 h) | -25 ... +40 °C |
| Storage temperature | -30 ... +85 °C |
| Weight | 0.8 kg |
| Dimensions LxWxH | 243 x 52 x 32 mm |
| Hole spacing D | 234 mm |



Ordering data

| Type | Article number |
|-----------------|----------------|
| LCU 060/12 D010 | 24166322 |
| LCU 060/24 D010 | 22185184 |

Packaging: 10 pieces/carton, 400 pieces/pallet

Specific technical data

| Type | Max. casing temperature t_c | Output voltage | Max. input power | Output current range |
|-----------------|-------------------------------|----------------|------------------|----------------------|
| LCU 060/12 D010 | 85 °C | 12 V | 75 W | 0.4 – 5.0 A |
| LCU 060/24 D010 | 70 °C | 24 V | 75 W | 0.2 – 2.5 A |

Standards

EN 55015
 EN 61000-3-2
 EN 61000-3-3
 EN 61347-1
 EN 61347-2-13
 EN 61547
 EN 62384

Overload protection

Automatic shutdown of the converter if the maximum output current is exceeded.
 Automatic restart if the output current is below the limit.

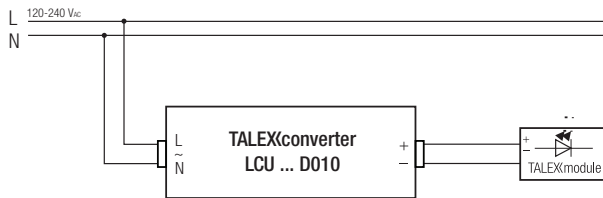
Over temperature protection

Automatic power reduction of the converter if the temperature limit is exceeded.
 Automatic restart to nominal mode if the temperature falls below the limit.

Maximum loading of automatic circuit breakers

| Automatic circuit breaker type | C10 | C13 | C16 | C20 | B10 | B13 | B16 | B20 | Inrush current | |
|--------------------------------|---------------------|---------------------|---------------------|---------------------|---------------------|---------------------|---------------------|---------------------|----------------|---------|
| | | | | | | | | | I_{max} | time |
| Installation Ø | 1.5 mm ² | 1.5 mm ² | 1.5 mm ² | 2.5 mm ² | 1.5 mm ² | 1.5 mm ² | 1.5 mm ² | 2.5 mm ² | 52 A | 0.24 ms |
| LCU 060/12 D010 | 10 | 14 | 18 | 22 | 5 | 7 | 9 | 11 | 52 A | 0.24 ms |
| LCU 060/24 D010 | 10 | 14 | 18 | 22 | 5 | 7 | 9 | 11 | 52 A | 0.24 ms |

Wiring diagram

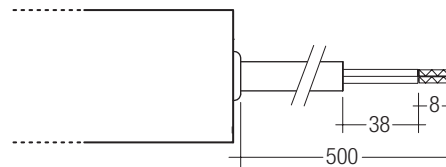


Installation instructions

The switching of LEDs on secondary side is not permitted.

Connection

| Primary cable | | Secondary cable | |
|---------------|------|-----------------|-------|
| L | N | + | - |
| brown | blue | red | black |



PRI:

Ø 7.7 ±0.2 mm; 2x1.04 mm² (17 AWG)

SEC:

Ø 8 ±0.2 mm; 2x1.31 mm² (16 AWG)