

IP20 SELV          RoHS

TALEXconverter LCI 15 W 700 mA IP20  
TALEXconverter REMOTE LCI

## Product description

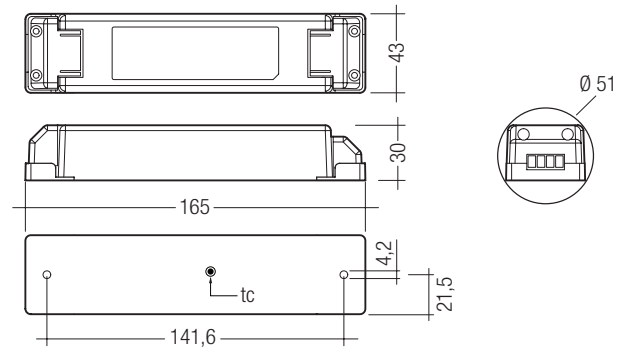
- Constant current converter
- Universal input voltage range
- Constant output current 700 mA
- Strain relief
- Screw terminal

## Properties

- High efficiency
- Low power loss
- Overtemperature protection
- Overload protection with automatic restart
- Short-circuit shutdown feature with automatic restart
- Protection class 2, SELV
- Type of protection IP20
- Plastic casing white

## Technical data

Rated supply voltage	120 – 240 V
Input voltage, AC	108 – 264 V
Input voltage, DC	120 – 240 V
Rated current (at 230 V 50 Hz)	0.08 A
Mains frequency	0 / 50 / 60 Hz
Efficiency	> 75 %
Max. input power	17 W
$\lambda$ (at 230 V 50 Hz)	0.91
Output current tolerance	$\pm 8 \%$
Max. output voltage <sup>①</sup>	30 V
Turn on time (output)	$\leq 0.5$ s
Turn off time (output)	$\leq 1$ s
Hold on time at power failure (Output)	10 ms
Ambient temperature $t_a$	-25 ... +50 °C
Ambient temperature $t_a$ (at lifetime 50,000 h)	-25 ... +40 °C
Max. casing temperature $t_c$	70 °C
Storage temperature	-30 ... +85 °C
Weight	0.14 kg
Dimensions LxWxH	165 x 43 x 30 mm
Hole spacing D	142 mm



## Ordering data

Type	Article number
LCI 015/0700 E020	24166313

Packaging: 40 pieces/carton, 2000 pieces/pallet

## Specific technical data

Type	Output current	Output voltage range
LCI 015/0700 E020	700 mA	10 – 21.5 V

<sup>①</sup> In non-load operation.

**Standards**

EN 55015  
 EN 61000-3-2  
 EN 61000-3-3  
 EN 61347-1  
 EN 61347-2-13  
 EN 61547  
 EN 62384

**Over temperature protection**

Automatic shutdown of the converter if the temperature limit is exceeded.  
 Automatic restart if the temperature falls below the limit.

**Overload protection**

Automatic shutdown of the converter if the maximum output voltage is exceeded.  
 Automatic restart if the output voltage is below the limit.

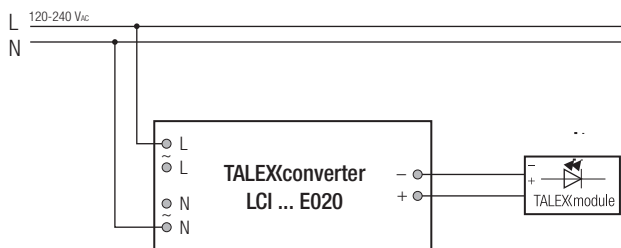
**Glow wire test according to EN 60598-2-11**

850 °C passed.

**Maximum loading of automatic circuit breakers**

Automatic circuit breaker type	C10	C13	C16	C20	B10	B13	B16	B20	Inrush current	
Installation Ø	1.5 mm <sup>2</sup>	1.5 mm <sup>2</sup>	1.5 mm <sup>2</sup>	2.5 mm <sup>2</sup>	1.5 mm <sup>2</sup>	1.5 mm <sup>2</sup>	1.5 mm <sup>2</sup>	2.5 mm <sup>2</sup>	I <sub>max</sub>	time
<b>LCI 015/0700 E020</b>	60	90	120	140	30	45	60	70	80 A	0.001 ms

**Wiring diagram**



**Installation instructions**

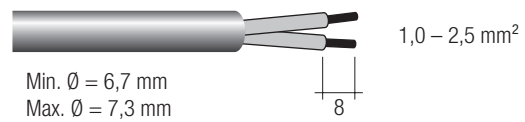
The connecting of LEDs on secondary side is not permitted.

**Wiring type and cross section**

The wiring can be in flexible cable with ferules or solid. For perfect function of the screw terminals the strip length should be 7.5–8.5 mm for the terminal.

**Input / Output terminal**

**PRI:**



**SEC:**

