

IP20       RoHS

TALEXconverter LCI 30 W 700 mA A120  
TALEXconverter REMOTE LCI

## Product description

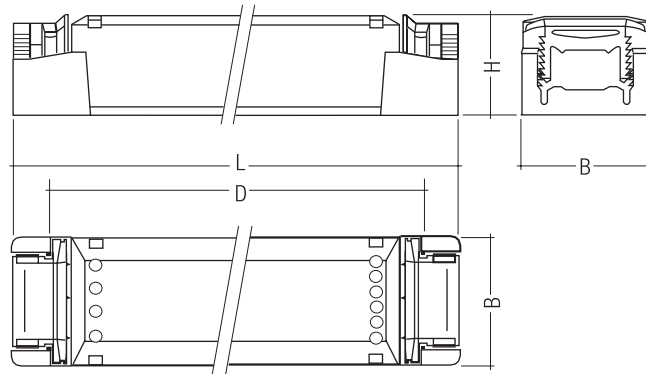
- Constant output current 700 mA
- Short-circuit-proof
- No-load detection with automatic restart
- Intelligent Temperature Guard (protection against thermal damage)
- Connecting cable, cable cross-section 0.5 – 2.5 mm<sup>2</sup>
- Output power 30 W
- Strain relief
- DC detection for emergency operation
- SELV



## Technical data

Rated supply voltage	220 – 240 V
Input voltage, AC	198 – 264 V
Input voltage, DC <sup>①</sup>	170 – 240 V
Rated current (at 230 V 50 Hz)	0.15 A
Mains frequency <sup>①</sup>	0 / 50 / 60 Hz
Efficiency	85 %
λ at 230 V / 50 Hz	0.95
Max. input power	36 W
THD (applying to the current)	9.5 %
Output voltage range	9 – 42.5 V
Output current tolerance	± 7.5 %
Output current	700 mA
Output power	30 W
t <sub>a</sub> operating (at lifetime 50,000 h)	-25 ... +40 °C
Max. casing temperature t <sub>c</sub>	90 °C
Storage temperature	-25 ... +60 °C
Weight	0.168 kg
Dimensions LxWxH	207 x 42 x 31 mm
Hole spacing D	183 – 188 mm

<sup>①</sup> At DC operation the output power will be reduced to 70 % with a PWM (246 Hz).



## Ordering data

Type	Article number
LCI 030/0700 A120	86458901

Packaging: 25 pieces/carton

**Standards**

- EN 55015
- EN 61000-3-2
- EN 61000-3-3
- EN 61347-1
- EN 61347-2-13
- EN 61547
- EN 62384
- EN 62386-207

**Wiring type and cross section**

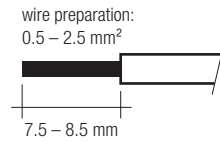
The wiring can be in flexible cable with ferules or solid. For perfect function of the screw terminals the strip length should be 6.5–7.5 mm for the input and output terminal.  
 Double occupancy possible at max. 1.5 mm<sup>2</sup> cross section.

Max. torque at the clamping screw: 0.5 Nm

**Thermal protection of the unit**

The unit also has an ITG (Intelligent Temperature Guard). This protects it from overheating. If the unit is operated at too high a temperature the output is reduced to as little as 50 %.

**Input / Output terminal**



**Maximum loading of automatic circuit breakers**

Automatic circuit breaker type	C10	C13	C16	C20	B10	B13	B16	B20
Installation Ø	1.5 mm <sup>2</sup>	1.5 mm <sup>2</sup>	1.5 mm <sup>2</sup>	2.5 mm <sup>2</sup>	1.5 mm <sup>2</sup>	1.5 mm <sup>2</sup>	1.5 mm <sup>2</sup>	2.5 mm <sup>2</sup>
<b>LCAI 030/0700 A120</b>	50	65	80	100	50	65	80	100

**Wiring diagram**

