

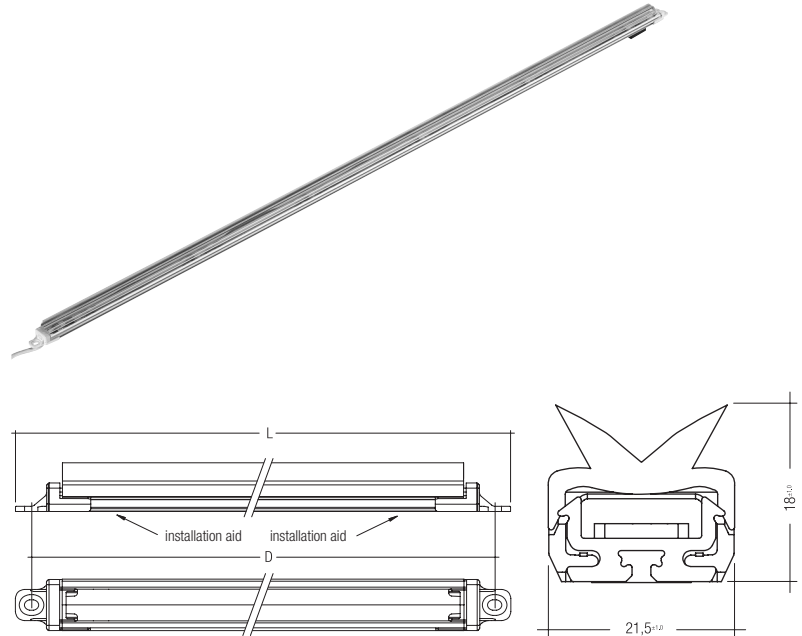
IP20 

## TALEXengine COOL door for integration TALEXengine COOL

Easy Clip System

### Product description

- Chillers with doors in the food industry
- Available in different light colours and wattages
- Complete solution with standard cable
- Connecting cable: H03VVH, white, length: 1 m
- Cross-section of connecting cable: 2 x 0.75 mm<sup>2</sup>
- High efficiency thanks to directional lighting, integrated heat removal and highly efficient LEDs
- Optimum product illumination thanks to a combination of COB LEDs and optics
- Extremely slim solution supports perfect integration in cooling units
- Safety extra low voltage (SELV)
- Simple mounting with end cap and installation aid (double-sided adhesive tape)
- Cooling section made of anodised, extruded aluminium
- End caps made of PBT
- Linear lenses made of PMMA



### Technical data

Supply current DC	700 mA
Ambient temperature $t_a$	-30 ... +20 °C
Max. surface temperature on profile $t_c$	65 °C
Type of protection	IP20
Protection class	III

### Ordering data

Position	Length L	Colour	Type	Article number
Centre	1,500 mm	neutral white	LED LE1500 12P211-3 NW 700 mA – SE Z201	89600818
Side	1,500 mm	neutral white	LED LE1500 7P211-3 NW 700 mA – SE Z201	89600819
Centre	1,500 mm	cool meat	LED LE1500 12P211-3 CM2 700 mA – SE Z201	89600822
Side	1,500 mm	cool meat	LED LE1500 7P211-3 CM2 700 mA – SE Z201	89600823

Packaging: 9 piece/carton



Standards, page 3

Colour temperatures and tolerances, page 5

### Specific technical data

Type	Hole spacing D	Typ. luminous flux <sup>②</sup>	Colour rendering index CRI/Rff <sup>③</sup>	Power <sup>④</sup>
LED LE1500 12P211-3 NW 700 mA – SE Z201	1,488 mm	1,120 lm	80	29.4 W
LED LE1500 7P211-3 NW 700 mA – SE Z201	1,488 mm	650 lm	80	17.2 W
LED LE1500 12P211-3 CM2 700 mA – SE Z201	1,488 mm	1,100 lm	80	29.4 W
LED LE1500 7P211-3 CM2 700 mA – SE Z201	1,488 mm	640 lm	80	17.2 W

<sup>①</sup> Tolerance range for optical data: ±15 %.

<sup>②</sup> Luminous flux at  $t_a = 0$  °C.

<sup>③</sup> Rff (cool meat): specific reflection index for illumination of meat and meat products according to standard DIN 10504.

<sup>④</sup> Tolerance range for electrical data: ±15 %.

**Converters matrix – TALEXengine COOL door for integration, constant current**

		REMOTE LCI				
Type		LCI 015/0350 E020 120-240V	LCI 030/0700 E020 120-240V	LCCI 016/0350 B020 220-240V	LCAI 015/0350 A020 one4all 220-240V	LCAI 030/0700 A120 one4all 220-240V
Art. no.		24166312	24166314	86459210	86458899	86458900
Type	Art. no.	Assignable converters				
LED LE1500 12P211-3 NW 700 mA – SE Z201	89600818		◦	•		
LED LE1500 7P211-3 NW 700 mA – SE Z201	89600819	•	•	•	•	•
LED LE1500 12P211-3 CM2 700 mA – SE Z201	89600822		◦	•		
LED LE1500 7P211-3 CM2 700 mA – SE Z201	89600823	•	•	•	•	•

◦ = For suitable converters please contact Tridonic Customer Service.

**Accessories matrix – TALEXaccessory MOUNT**

Type		LED FIXING PLATE ECS 0°	LED FIXING PLATE ECS 15°	LED FIXING PLATE ECS 30°	LED FIXING PLATE ECS 45°	LED FIXING PLATE ECS 60°
Art. no.		88166859	88167372	88167373	88167374	88167375
Page		200	201	202	203	204
Type	Art. no.	Assignable accessories				
LED LE1500 12P211-3 NW 700 mA – SE Z201	89600818	•	•	•	•	•
LED LE1500 7P211-3 NW 700 mA – SE Z201	89600819	•	•	•	•	•
LED LE1500 12P211-3 CM2 700 mA – SE Z201	89600822	•	•	•	•	•
LED LE1500 7P211-3 CM2 700 mA – SE Z201	89600823	•	•	•	•	•

### Standards

- EN 60598-1
- EN 60598-2-1
- EN 62031
- EN 62471

The product meets the “independent LED module” classification according to EN 62031.

### Note



- There is no provision for chaining multiple TALEXengine COOL door for Integration units
- The converter must be switched off before connecting the TALEXengine COOL door for Integration. This can damage the TALEXengine COOL door for Integration!
- To avoid visible light spots in mounted condition integration in the door case is essential.  
 Therefor and for optimal illumination of goods in the refrigeration units a close collaboration between refrigeration unit manufacturer and Tridonic is required.

### Electrical supply

TALEXengine COOL door for Integration modules from Tridonic are not protected against overvoltages, overcurrents, overloads or short-circuit currents. Safe and reliable operation can only be guaranteed in conjunction with a converter which complies with the relevant standards. The use of TALEX converters from Tridonic in combination with TALEXengine COOL door for Integration guarantees the necessary protection for safe and reliable operation.

If a converter other than Tridonic TALEXconverter is used, it must provide the following protection:

- Short-circuit protection
- Overload protection
- Overtemperature protection

TALEXengine COOL door for Integration must be supplied by a constant current converter.

Operation with a constant voltage converter will lead to an irreversible damage.

The TALEXengine COOL door for Integration is equipped with reverse voltage protection up to 50 V.

### Thermal behaviour

operation temperature (operation, no defects)	$t_a$	-30 → +20 °C
storage temperature	$t_s$	-30 → +60 °C
max. temperature cooling profile ① ②	$t_{\text{profile}}$	-30 → +65 °C

① The values apply to operation at 100 % output, natural convection

② If the maximum temperature limits are exceeded, the life of the LED will be greatly reduced or the LED may be destroyed.

The  $t_c$  point temperature on the profile of TALEXengine COOL door for Integration should be measured in the thermally stable state and under operating conditions by means of a temperature sensor or temperature-sensitive sticker (available for example from [www.conrad.com](http://www.conrad.com), [www.rs-components.com](http://www.rs-components.com)) as per EN60598-1. The entire profile can be used as the  $t_c$  point.

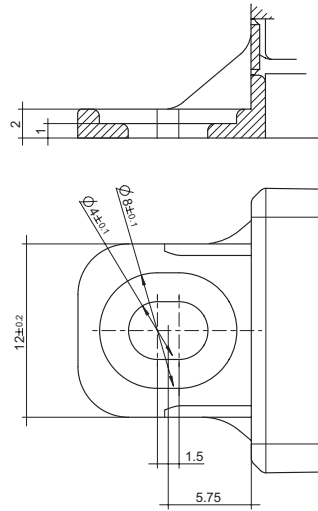
### Wiring

Cable: H03VVH; cross-section 2x0.75 mm<sup>2</sup>; white; length: 1.0 m

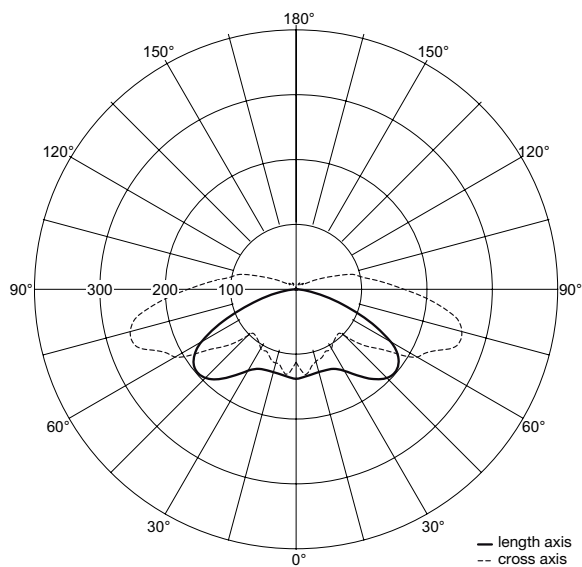
	Cord 1	Cord 2
Colour	Red	Black
Function	+	-

### Installation of TALEXengine COOL door for Integration

- Mount with end caps. Screws ST3.9 and ST3.5 (according to EN ISO 15481) can be used for the slot hole.
- Thermal conductive tapes on the back of the TALEXengine COOL door for Integration can be used as a mounting aid
- The converter must be switched off before connecting the TALEXengine COOL door for Integration. This can damage the TALEXengine COOL door for Integration!



### Luminous intensity distribution



**Coordinates and tolerances according to CIE 1964**

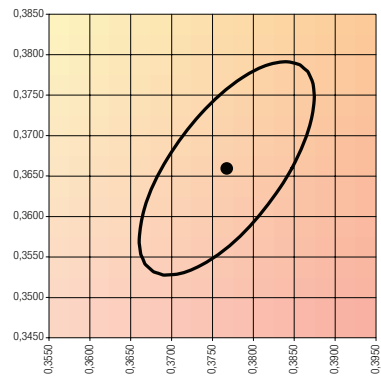
**CIE coordinates:**

**Neutral white**

	x0	y0
Centre	0.3770	0.3660

MacAdam ellipse: 5SDCM

**Neutral white**



**CIE coordinates**

**Cool meat**

	x0	y0
Centre	0.3630	0.3070

MacAdam ellipse: 5SDCM

**Cool meat**

