

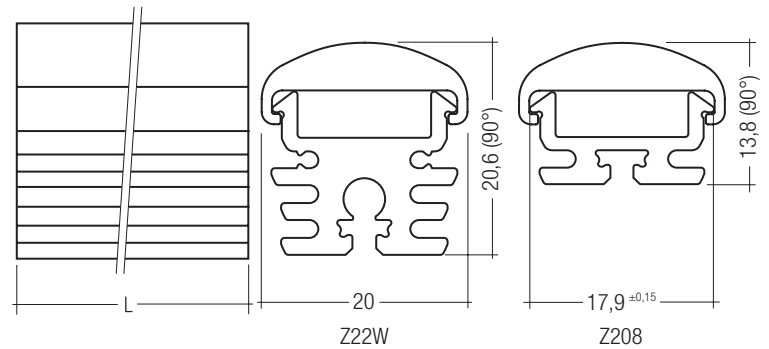
IP20  RoHS

TALEXengine FREEZE island
TALEXengine FREEZE

Quick Connection System
Easy Clip System

Product description

- For displaying products on freezer cabinets in the food industry
- Complete solution with standard cable and mounting profile, ready for connection
- Connecting cable: H03VVH, white, length: 1 m
- Cross-section of connecting cable: 2 x 0.75 mm²
- Available with Quick Connection System (QCS) for fast and flexible electric connection
- High efficiency thanks to directional lighting and integrated heat removal
- High quality of light thanks to a combination of COB LEDs and optics
- Extremely slim solution supports perfect integration in freezer islands
- Dimmable by pulse width modulation (PWM)
- End caps made of aluminium or with QCS
- Cooling section made of anodised, extruded aluminium
- Simple installation with mounting plate (optional)
- Can be expanded with extensive accessories (optional)
- Linear lenses made of PMMA
- Safety extra low voltage (SELV), protection class III



Technical data

Supply voltage DC [®]	24 V
Power input per m	18 W
Ambient temperature t _a	-30 ... +30 °C
Max. surface temperature on profile t _c	60 °C
Type of protection	IP20
Protection class	III

Ordering data

Length L	Colour temperature	Colour	Lens	Type	Article number
With end caps made of aluminium					
1,200 mm	6,500 K	daylight white	90°	LED LE1200 7P130-2 DL 24V - 90° Z22W	89601014
With Quick Connection System					
1,200 mm	6,500 K	daylight white	90°	LED LE1200 7P130-2 DL 24V - 90° Z208 QCS	89601241
Packaging: 9 pieces/carton					



Standards, page 4

Colour temperatures and tolerances, page 5

Specific technical data

Type	Typ. luminous flux ^①	Power ^②	Colour rendering index CRI	Weight
With end caps made of aluminium				
LED LE1200 7P130-2 DL 24V - 90° Z22W	742 lm	21 W	75	0,128 kg
With Quick Connection System				
LED LE1200 7P130-2 DL 24V - 90° Z208 QCS	742 lm	21 W	75	0,128 kg

^① Tolerance range for optical data: ±15 % (values without lens).

^② Tolerance range for electrical data: ±15 %.

[®] Exceeding the max. operating voltage leads to an overload on the TALEX module. This may in turn result in a significant reduction in lifetime or even in destruction. Tolerance range for the supply voltage: +2 V / -0 V.

Converters matrix – TALEXengine FREEZE island, constant voltage

REMOTE LCU							
Type	0025 K201 24VDC 25VA	0025 K210 24V one4all	0025 K211 24V DALI	LCU 035/24 E020 120-240V	LCU 060/24 E020 120-240V	LCU 100/24 E020 120-240V	LCU 150/24 E020 120-240V
Art. no.	86453418	86455937	86455066	24166320	24166324	24166328	24166333

Assignable converters

Type	Art. no.	Number of engines													
		Min.	Max.	Min.	Max.	Min.	Max.	Min.	Max.	Min.	Max.	Min.	Max.		
With end caps made of aluminium															
LED LE1200 7P130-2 DL 24V - 90° Z22W	89601014	1	1	1	1	1	1	1	1	1	2	1	4	2	5
With Quick Connection System															
LED LE1200 7P130-2 DL 24V - 90° Z208 QCS	89601241	1	1	1	1	1	1	1	1	1	2	1	4	2	5

Converters matrix – TALEXengine FREEZE island, constant voltage

IN-BUILT LCU			
Type	LCU 060/24 D10 120-240V	LCU 100/24 D10 120-240V	LCU 150/24 D10 120-240V
Art. no.	22185184	22185185	22185186

Assignable converters

Type	Art. no.	Number of engines					
		Min.	Max.	Min.	Max.	Min.	Max.
With end caps made of aluminium							
LED LE1200 7P130-2 DL 24V - 90° Z22W	89601014	1	2	1	4	2	5
With Quick Connection System							
LED LE1200 7P130-2 DL 24V - 90° Z208 QCS	89601241	1	2	1	4	2	5

Accessories matrix – TALEXaccessory MOUNT

Type	LED FIXING PLATE ECS 0°	LED FIXING PLATE ECS 15°	LED FIXING PLATE ECS 30°	LED FIXING PLATE ECS 45°	LED FIXING PLATE ECS 60°	Mounting bracket adjustable
Art. no.	88166859	88167372	88167373	88167374	88167375	24166024
Type	Assignable accessories					
With end caps made of aluminium	•	•	•	•	•	•
With Quick Connection System	•	•	•	•	•	

Accessories matrix – TALEXaccessory CONNECT

Type	Bridge QCS 30	Bridge QCS 50	Bridge QCS 100	Bridge QCS 250	Bridge QCS 400	Bridge QCS 800	Bridge QCS 1200	Bridge QCS 2000	Feeder QCS 500	Feeder QCS 1000	Feeder QCS 1500	Feeder QCS 2000
Art. no.	89601262	89601263	89601264	89601265	89601266	89601267	89601268	89601269	89601258	89601259	89601260	89601261
Type	Assignable accessories											
With end caps made of aluminium												
With Quick Connection System	•	•	•	•	•	•	•	•	•	•	•	•

Standards

- EN 60598-1
- EN 60598-2-1
- EN 62031
- EN 62471

The product meets the “independent LED module“ classification according to EN 62031.

Note



- Reversing the polarity may damage TALEXengine FREEZE island
- There is no provision for chaining multiple TALEXengine FREEZE island units

Electrical supply

The control gear protects the u modules against overvoltage, over-current, overloads and short-circuits. The control gear must comply with the relevant standards governing safe operation. The necessary level of protection is ensured by using u converters from Tridonic.

If other control gear is used, it must provide the following protection:

- SELV
- Short-circuit protection
- Overload protection
- Overtemperature protection

Wiring

Cable: H03VVH; cross-section 2x0.75 mm²; white; length: 1.0 m

	Cord 1	Cord 2
Colour	Red	Black
Function	+	-

Cable length

In view of the voltage drop along the cable, a voltage of at least 24 V must be applied to TALEXengine FREEZE island in order to achieve the rated luminous flux.

Thermal behaviour

operation temperature (operation, no defects)	t _a	-30 → +20 °C
storage temperature	t _s	-30 → +60 °C
max. temperature cooling profile ① ②	t _{profile}	-30 → +65 °C

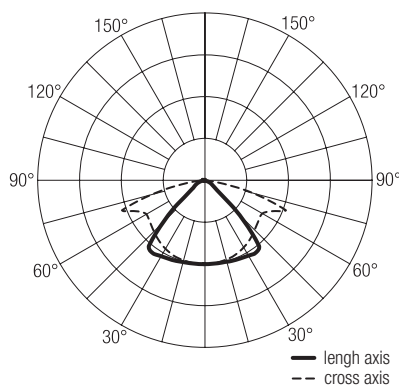
① The values apply to operation at 100% output, natural convection

② If the maximum temperature limits are exceeded, the life of the LED will be greatly reduced or the LED may be destroyed.

The t_c point temperature on the profile of TALEXengine FREEZE island should be measured in the thermally stable state and under operating conditions by means of a temperature sensor or temperature-sensitive sticker (available for example from www.conrad.com, www.rs-components.com) as per EN60598-1. The backside of TALEXengine FREEZE island can be used as the t_c point.

Optical properties

Light distribution curve 90°



Coordinates and tolerances according to CIE 1964

CIE coordinates

6.500 K

	x0	y0
Centre	0,3200	0,3270

MacAdam ellipse: 5SDCM

Daylight white

