

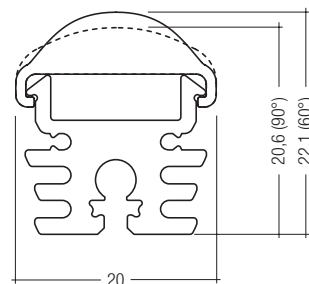
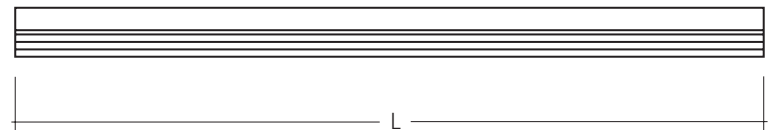
IP20 

TALEXengine SERVE
TALEXengine SERVE

Quick-Connection-System
Easy-Clip-System

Product description

- Chiller cabinets in the food industry
- Available in different light colours
- Complete solution with standard cable
- Connecting cable: H03VVH, white, length: 1 m
- Cross-section of connecting cable: 2 x 0.75 mm²
- Available with Quick-Connection-System (QCS) for fast and flexible electric connection
- High efficiency thanks to directional lighting, integrated heat removal and highly efficient LEDs
- Optimum product illumination thanks to a combination of COB LEDs and optics
- Extremely slim solution supports perfect integration in serve-over-counter
- Safety extra low voltage (SELV)
- End caps made of aluminium or with QCS
- Cooling section made of anodised, extruded aluminium
- Simple installation with mounting bracket or mounting plate (optional)
- Linear lenses made of PMMA



Technical data

Ambient temperature ta	-30 ... +30 °C
Max. surface temperature on profile tc	60 °C
Type of protection	IP20
Protection class	III



Standards, page 5

Colour temperatures and tolerances, page 6, 7

Ordering data

Length L	Colour	Type	Article number
With end caps made of aluminium			
1,100 mm	Neutral white	LED LE 1100 9P130-2 NW 24V - 90° Z22W	89750154
785 mm	Neutral white	LED LE785 6P130-2 NW 24V - 90° Z22W	89750157
475 mm	Neutral white	LED LE475 4P130-2 NW 24V - 90° Z22W	89750160
1,100 mm	Cool meat	LED LE1100 9P130-2 CM2 24V - 90° Z22W	89600829
785 mm	Cool meat	LED LE785 6P130-2 CM2 24V - 90° Z22W	89750155
475 mm	Cool meat	LED LE475 4P130-2 CM2 24V - 90° Z22W	89750158
1,100 mm	Cool meat +	LED LE1100 9P130-2 CM+ 24V - 90° Z22W	89601080
785 mm	Cool meat +	LED LE785 6P130-2 CM+ 24V - 90° Z22W	89750222
475 mm	Cool meat +	LED LE475 4P130-2 CM+ 24V - 90° Z22W	89750221
1,100 mm	Gold	LED LE1100 9P130-2 GOLD 24V - 90° Z22W	89600830
785 mm	Gold	LED LE785 6P130-2 GOLD 24V - 90° Z22W	89750156
475 mm	Gold	LED LE475 4P130-2 GOLD 24V - 90° Z22W	89750159
With Quick-Connection-System			
1,100 mm	Neutral white	LED LE 1100 9P130-2 NW 24V - 90° Z208 QCS	89601244
785 mm	Neutral white	LED LE785 6P130-2 NW 24V - 90° Z208 QCS	89601247
475 mm	Neutral white	LED LE475 4P130-2 NW 24V - 90° Z208 QCS	89601250
1,100 mm	Cool meat	LED LE1100 9P130-2 CM2 24V - 90° Z208 QCS	89601242
785 mm	Cool meat	LED LE785 6P130-2 CM2 24V - 90° Z208 QCS	89601245
475 mm	Cool meat	LED LE475 4P130-2 CM2 24V - 90° Z208 QCS	89601248
1,100 mm	Cool meat +	LED LE1100 9P130-2 CM+ 24V - 90° Z208 QCS	89601251
785 mm	Cool meat +	LED LE785 6P130-2 CM+ 24V - 90° Z208 QCS	89601256
475 mm	Cool meat +	LED LE475 4P130-2 CM+ 24V - 90° Z208 QCS	89601255
1,100 mm	Gold	LED LE1100 9P130-2 GOLD 24V - 90° Z208 QCS	89601243
785 mm	Gold	LED LE785 6P130-2 GOLD 24V - 90° Z208 QCS	89601246
475 mm	Gold	LED LE475 4P130-2 GOLD 24V - 90° Z208 QCS	89601249

Packaging: 9 piece/carton

Specific technical data

Type	Beam angle	Typ. luminous flux ^②	Supply voltage DC ^③	Colour rendering index CRI/R _{ff} ^④	Power ^⑤
With end caps made of aluminium					
LED LE 1100 9P130-2 NW 24V - 90° Z22W	90°	790 lm	24 V	80	27 W
LED LE785 6P130-2 NW 24V - 90° Z22W	90°	530 lm	24 V	> 90	18 W
LED LE475 4P130-2 NW 24V - 90° Z22W	90°	350 lm	24 V	80	12 W
LED LE1100 9P130-2 CM2 24V - 90° Z22W	90°	610 lm	24 V	80	27 W
LED LE785 6P130-2 CM2 24V - 90° Z22W	90°	440 lm	24 V	80	18 W
LED LE475 4P130-2 CM2 24V - 90° Z22W	90°	295 lm	24 V	80	12 W
LED LE1100 9P130-2 CM+ 24V - 90° Z22W	90°	540 lm	24 V	80	27 W
LED LE785 6P130-2 CM+ 24V - 90° Z22W	90°	360 lm	24 V	80	18 W
LED LE475 4P130-2 CM+ 24V - 90° Z22W	90°	240 lm	24 V	80	12 W
LED LE1100 9P130-2 GOLD 24V - 90° Z22W	90°	455 lm	24 V	> 90	27 W
LED LE785 6P130-2 GOLD 24V - 90° Z22W	90°	300 lm	24 V	80	18 W
LED LE475 4P130-2 GOLD 24V - 90° Z22W	90°	200 lm	24 V	> 90	12 W
With Quick-Connection-System					
LED LE 1100 9P130-2 NW 24V - 90° Z208 QCS	90°	790 lm	24 V	80	27 W
LED LE785 6P130-2 NW 24V - 90° Z208 QCS	90°	530 lm	24 V	> 90	18 W
LED LE475 4P130-2 NW 24V - 90° Z208 QCS	90°	350 lm	24 V	80	12 W
LED LE1100 9P130-2 CM2 24V - 90° Z208 QCS	90°	610 lm	24 V	80	27 W
LED LE785 6P130-2 CM2 24V - 90° Z208 QCS	90°	440 lm	24 V	80	18 W
LED LE475 4P130-2 CM2 24V - 90° Z208 QCS	90°	295 lm	24 V	80	12 W
LED LE1100 9P130-2 CM+ 24V - 90° Z208 QCS	90°	540 lm	24 V	80	27 W
LED LE785 6P130-2 CM+ 24V - 90° Z208 QCS	90°	360 lm	24 V	80	18 W
LED LE475 4P130-2 CM+ 24V - 90° Z208 QCS	90°	240 lm	24 V	80	12 W
LED LE1100 9P130-2 GOLD 24V - 90° Z208 QCS	90°	455 lm	24 V	> 90	27 W
LED LE785 6P130-2 GOLD 24V - 90° Z208 QCS	90°	300 lm	24 V	80	18 W
LED LE475 4P130-2 GOLD 24V - 90° Z208 QCS	90°	200 lm	24 V	> 90	12 W

① Tolerance range for optical data: ±15 %.

② Luminous flux at ta = 0 °C.

③ Exceeding the max. operating voltage leads to an overload on the TALEX module. This may in turn result in a significant reduction in lifetime or even in destruction. Tolerance range for the supply voltage: +2 V / -0 V.

④ R_{ff} (Cool meat): specific reflection index for illumination of meat and meat products according to standard DIN 10504.

⑤ Tolerance range for electrical data: ±15 %.

Accessories matrix – TALEXaccessories MOUNT

Type	LED FIXING PLATE ECS 0°	LED FIXING PLATE ECS 15°	LED FIXING PLATE ECS 30°	LED FIXING PLATE ECS 45°	LED FIXING PLATE ECS 60°	Mounting bracket adjustable
Art. no.	88166859	88167372	88167373	88167374	88167375	24166024
Type	Assignable accessories					
With end caps made of aluminium	•	•	•	•	•	•
With Quick-Connection-System	•	•	•	•	•	

Accessories matrix – TALEXaccessories CONNECT

Type	Bridge QCS 30	Bridge QCS 50	Bridge QCS 100	Bridge QCS 250	Bridge QCS 400	Bridge QCS 800	Bridge QCS 1200	Bridge QCS 2000	Feeder QCS 500	Feeder QCS 1000	Feeder QCS 1500	Feeder QCS 2000
Art. no.	89601262	89601263	89601264	89601265	89601266	89601267	89601268	89601269	89601258	89601259	89601260	89601261
Type	Assignable accessories											
With end caps made of aluminium												
With Quick-Connection-System	•	•	•	•	•	•	•	•	•	•	•	•

Converter matrix – TALEXengine SERVE, constant voltage

REMOTE LCU															
Type	0025 K201 24VDC	0025 K210 24V one4all	0025 K211 24V DALI	LCU 035/24 E020 120-240V	LCU 060/24 E020 120-240V	LCU 100/24 E020 120-240V	LCU 150/24 E020 120-240V								
Article number	86453418	86455937	86455066	24166320	24166324	24166328	24166333								
Assignable converter															
Type	Article number	Number of engines													
		Min.	Max.	Min.	Max.	Min.	Max.	Min.	Max.	Min.	Max.	Min.	Max.	Min.	Max.
With end caps made of aluminium															
LED LE 1100 9P130-2 NW 24V - 90° Z22W	89750154							1	1	1	2	1	3	1	5
LED LE785 6P130-2 NW 24V - 90° Z22W	89750157	1	1	1	1	1	1	1	1	1	3	1	5	2	7
LED LE475 4P130-2 NW 24V - 90° Z22W	89750160	1	2	1	2	1	2	1	2	1	5	1	8	2	14
LED LE1100 9P130-2 CM2 24V - 90° Z22W	89600829							1	1	1	2	1	3	1	5
LED LE785 6P130-2 CM2 24V - 90° Z22W	89750155	1	1	1	1	1	1	1	1	1	3	1	5	2	7
LED LE475 4P130-2 CM2 24V - 90° Z22W	89750158	1	2	1	2	1	2	1	2	1	5	1	8	2	14
LED LE1100 9P130-2 CM+ 24V - 90° Z22W	89601080							1	1	1	2	1	3	1	5
LED LE785 6P130-2 CM+ 24V - 90° Z22W	89750222	1	1	1	1	1	1	1	1	1	3	1	5	2	7
LED LE475 4P130-2 CM+ 24V - 90° Z22W	89750221	1	2	1	2	1	2	1	2	1	5	1	8	2	14
LED LE1100 9P130-2 GOLD 24V - 90° Z22W	89600830							1	1	1	2	1	3	1	5
LED LE785 6P130-2 GOLD 24V - 90° Z22W	89750156	1	1	1	1	1	1	1	1	1	3	1	5	2	7
LED LE475 4P130-2 GOLD 24V - 90° Z22W	89750159	1	2	1	2	1	2	1	2	1	5	1	8	2	14
With Quick-Connection-System															
LED LE 1100 9P130-2 NW24V - 90° Z208 QCS	89601244							1	1	1	2	1	3	1	5
LED LE785 6P130-2 NW 24V - 90° Z208 QCS	89601247	1	1	1	1	1	1	1	1	1	3	1	5	2	7
LED LE475 4P130-2 NW 24V - 90° Z208 QCS	89601250	1	2	1	2	1	2	1	2	1	5	1	8	2	14
LED LE1100 9P130-2 CM2 24V - 90° Z208 QCS	89601242							1	1	1	2	1	3	1	5
LED LE785 6P130-2 CM2 24V - 90° Z208 QCS	89601245	1	1	1	1	1	1	1	1	1	3	1	5	2	7
LED LE475 4P130-2 CM2 24V - 90° Z208 QCS	89601248	1	2	1	2	1	2	1	2	1	5	1	8	2	14
LED LE1100 9P130-2 CM+ 24V - 90° Z208 QCS	89601251							1	1	1	2	1	3	1	5
LED LE785 6P130-2 CM+ 24V - 90° Z208 QCS	89601256	1	1	1	1	1	1	1	1	1	3	1	5	2	7
LED LE475 4P130-2 CM+ 24V - 90° Z208 QCS	89601255	1	2	1	2	1	2	1	2	1	5	1	8	2	14
LED LE1100 9P130-2 GOLD 24V - 90° Z208 QCS	89601243							1	1	1	2	1	3	1	5
LED LE785 6P130-2 GOLD 24V - 90° Z208 QCS	89601246	1	1	1	1	1	1	1	1	1	3	1	5	2	7
LED LE475 4P130-2 GOLD 24V - 90° Z208 QCS	89601249	1	2	1	2	1	2	1	2	1	5	1	8	2	14

**Converter matrix – TALEXengine SERVE,
constant voltage**

Type	IN-BUILT LCU		
	LCU 060/24 D10 120-240V	LCU 100/24 D10 120-240V	LCU 150/24 D10 120-240V
Article number	22185184	22185185	22185186

Type	Article number	Assignable converter					
		Number of engines		Number of engines		Number of engines	
		Min.	Max.	Min.	Max.	Min.	Max.
With end caps made of aluminium							
LED LE 1100 9P130-2 NW 24V - 90° Z22W	89750154	1	2	1	3	1	5
LED LE785 6P130-2 NW 24V - 90° Z22W	89750157	1	3	1	5	2	7
LED LE475 4P130-2 NW 24V - 90° Z22W	89750160	1	5	1	8	2	14
LED LE1100 9P130-2 CM2 24V - 90° Z22W	89600829	1	2	1	3	1	5
LED LE785 6P130-2 CM2 24V - 90° Z22W	89750155	1	3	1	5	2	7
LED LE475 4P130-2 CM2 24V - 90° Z22W	89750158	1	5	1	8	2	14
LED LE1100 9P130-2 CM+ 24V - 90° Z22W	89601080	1	2	1	3	1	5
LED LE785 6P130-2 CM+ 24V - 90° Z22W	89750222	1	3	1	5	2	7
LED LE475 4P130-2 CM+ 24V - 90° Z22W	89750221	1	5	1	8	2	14
LED LE1100 9P130-2 GOLD 24V - 90° Z22W	89600830	1	2	1	3	1	5
LED LE785 6P130-2 GOLD 24V - 90° Z22W	89750156	1	3	1	5	2	7
LED LE475 4P130-2 GOLD 24V - 90° Z22W	89750159	1	5	1	8	2	14
With Quick-Connection-System							
LED LE 1100 9P130-2 NW24V - 90° Z208 QCS	89601244	1	2	1	3	1	5
LED LE785 6P130-2 NW 24V - 90° Z208 QCS	89601247	1	3	1	5	2	7
LED LE475 4P130-2 NW 24V - 90° Z208 QCS	89601250	1	5	1	8	2	14
LED LE1100 9P130-2 CM2 24V - 90° Z208 QCS	89601242	1	2	1	3	1	5
LED LE785 6P130-2 CM2 24V - 90° Z208 QCS	89601245	1	3	1	5	2	7
LED LE475 4P130-2 CM2 24V - 90° Z208 QCS	89601248	1	5	1	8	2	14
LED LE1100 9P130-2 CM+ 24V - 90° Z208 QCS	89601251	1	2	1	3	1	5
LED LE785 6P130-2 CM+ 24V - 90° Z208 QCS	89601256	1	3	1	5	2	7
LED LE475 4P130-2 CM+ 24V - 90° Z208 QCS	89601255	1	5	1	8	2	14
LED LE1100 9P130-2 GOLD 24V - 90° Z208 QCS	89601243	1	2	1	3	1	5
LED LE785 6P130-2 GOLD 24V - 90° Z208 QCS	89601246	1	3	1	5	2	7
LED LE475 4P130-2 GOLD 24V - 90° Z208 QCS	89601249	1	5	1	8	2	14

Standards

- EN 60598-1
- EN 60598-2-1
- EN 62031
- EN 62471

The product meets the “independent LED module“ classification according to EN 62031.

Note



- There is no provision for chaining multiple TALEXengine SERVE units
- The converter must be switched off before connecting the TALEXengine SERVE. This can damage the TALEXengine SERVE!

Electrical supply

The control gear protects the TALEX modules against overvoltage, over-current, overloads and short-circuits. The control gear must comply with the relevant standards governing safe operation. The necessary level of protection is ensured by using TALEX converters from Tridonic. If other control gear is used, it must provide the following protection:

- SELV
- Kurzschlusserkennung
- Überlasterkennung
- Übertemperatur-Abschaltung

Cable length

In view of the voltage drop along the cable, a voltage of at least 24V must be applied to TALEX engine SERVE in order to achieve the rated luminous flux.

Max. Leitungslänge bei Betrieb mit TALEX-Konvertern

Typ	0,75 mm ²	1,0 mm ²	1,5 mm ²	2,5 mm ²
24V	6m	7,5m	10m	18m

Temperatur behaviour

operation temperature (operation, no defects)	ta	-30 → +30 °C
storage temperature	ts	-30 → +60 °C
max. temperature cooling profile ① ②	t _{profil}	-30 → +60 °C

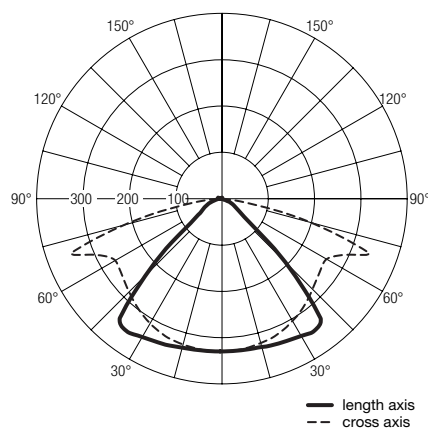
① The values apply to operation at 100 % output, natural convection

② If the maximum temperature limits are exceeded, the life of the LED will be greatly reduced or the LED may be destroyed.

The tc point temperature on the profile of TALEXengine SERVE should be measured in the thermally stable state and under operating conditions by means of a temperature sensor or temperature-sensitive sticker (available for example from www.conrad.com, www.rs-components.com) as per EN60598-1. The entire profile can be used as the tc point.

Optical properties

Luminous intensity distribution curve 90°



Coordinates and tolerances according to CIE 1964

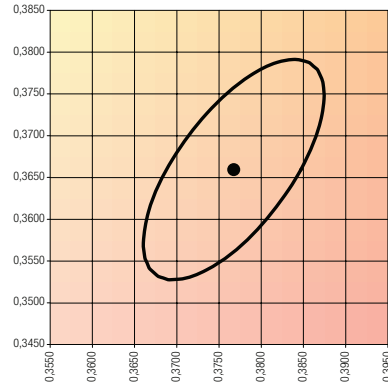
CIE coordinates:

4,200 K

	x0	y0
Centre	0.3827	0.2960

MacAdam ellipse: 5SDCM

4,200 K



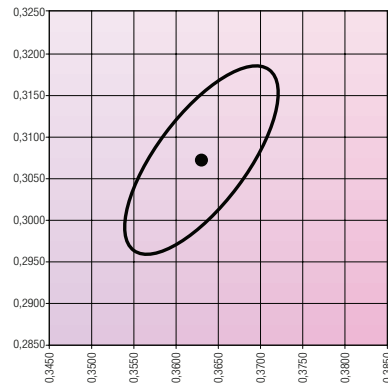
CIE coordinates:

Cool meat

	x0	y0
Centre	0.3630	0.3070

MacAdam ellipse: 5SDCM

Cool meat



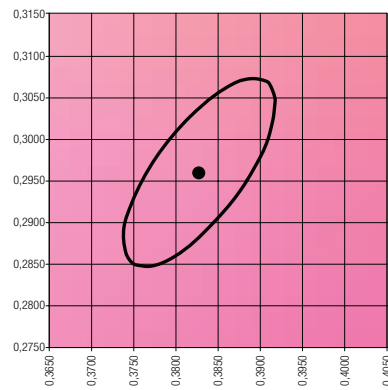
CIE coordinates:

CM+

	x0	y0
Centre	0.3827	0.2960

MacAdam ellipse: 5SDCM

CM+



CIE coordinates:

Gold

	x0	y0
Centre	0.4700	0.4160

MacAdam ellipse: 5SDCM

Gold

