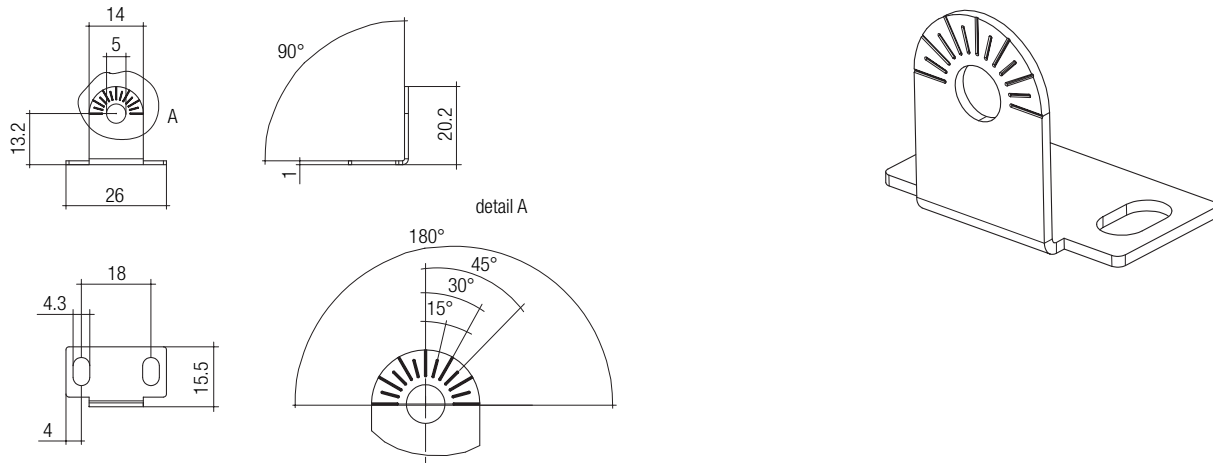


TALEX Mounting bracket - adjustable
Mounting bracket with adjustable rotation angle

RoHS



Eigenschaften

- Mounting bracket with setscrew (hexagon head drilling screw ST 4.8x16 with lock washer) for optimal alignment of the TALEXengine Line
- angle marks for accurate alignment of the TALEXengine Line
- minimized place requirement for the assembly
- Metric M4 screws or a self-tapping screws in dimension ST 4.2 are recommended for fixing the mounting bracket (not included in delivery).

TALEX

type	article number	material	colour	dimensions (LxWxH) mm	weight/piece g	packing unit
Mounting bracket - adjustable	24166024	steel 1.4301	matt gray	26x15.5x20.2	7	10

