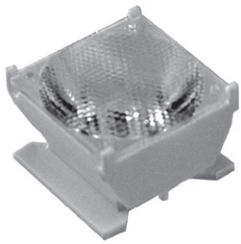
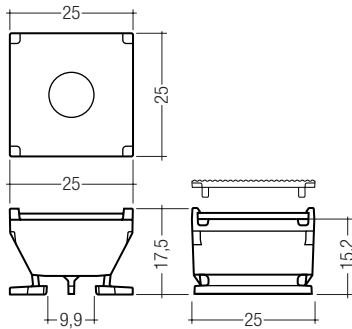


TALEXlens O211-2
Spot lens for TALEXeos P211/P211-2

RoHS



TALEXlens O211-2 spot lens 10°



Highlights:

- narrow-beam lens for TALEXeos P211/P211-2
- high efficiency and light quality
- simple installation

Properties:

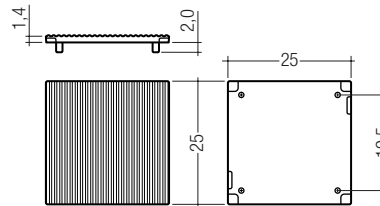
- 10° beam characteristic for colours
- 20° beam characteristic for white
- fixing: ready-made adhesive tape

Applications:

- general lighting
- spotlighting
- effect and design lighting



TALEXlens O211-2 diffusion lens 10° / 40°



Highlights:

- diffusion lens, 10° / 40° for wall-wash RGB colour mixing
- unique effect
- simple installation

Properties:

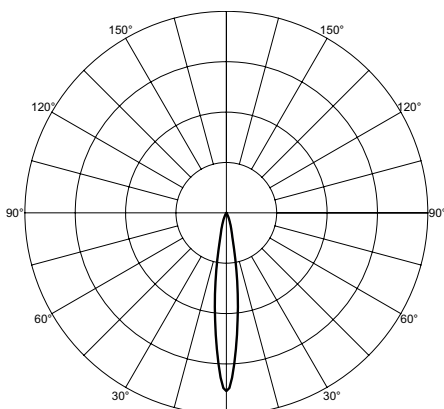
- diffusion lens for TALEXeos P211/P211-2 140° in combination with spot lens
- 10° / 40° beam characteristic
- snap-in mechanism; no tools required

Applications:

- asymmetrical spotlighting
- wall-wash applications

TALEX						
type	article number	material	colour	dimensions HxWxL mm	weight g	packing unit
0211-2 – spot lens	24139148	PC/PMMA	white/transparent	25x25x17.7	7	10
0211-2 – diffusion lens 10° / 40°	24139011	PC	transparent	25x25x1.4	1	5

Luminous intensity distribution curve for TALEXlens O211-2 spot lens



Luminous intensity distribution curve for TALEXlens O211-2 spot lens combined with diffusion lens 10° / 40°

