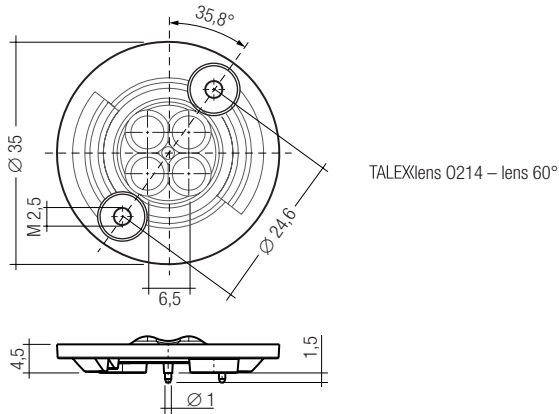


TALEXlens O214
Lens for TALEXeos P214

RoHS



Applications:

- general lighting
- spotlighting
- effect and design lighting
- LV halogen replacement

Highlights:

- 60° lens for TALEXeos P214
- simple installation

Properties:

- 60° beam characteristic
- fixing: 2 screws M 2.5

TALEX						
type	article number	material	colour	dimensions ØxH mm	weight g	packing unit
0214 lens 60°	24139082	PC	transparent	35x7.3	3	10

Luminous intensity distribution curve for TALEXlens O214 lens 60°

