

RoHS

TALEXaccessory LENS 0200-2 TALEXaccessory LENS

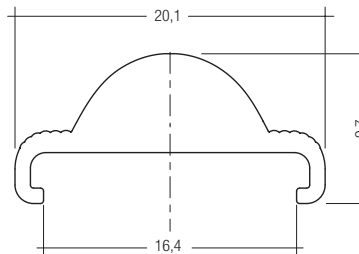
Product description

- Linear lens for TALEXaccessory PROFILE Z200-2, Z201-2 and Z22W-2
- For use exclusively with TALEX modules
- No tools required for installing
- Beam angle 30°, 60°, 90°
- Uniform distribution of light
- Material: PMMA

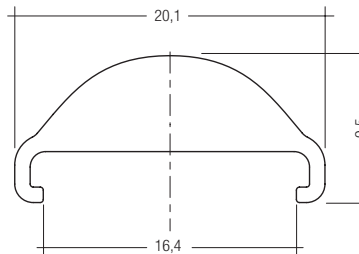


Technical data

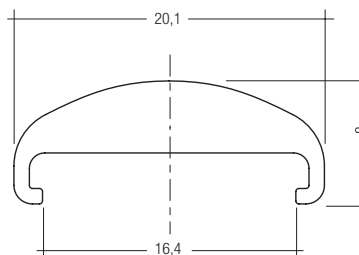
| | |
|-------------------------|----------|
| Length (tolerance +1 %) | 2,000 mm |
|-------------------------|----------|



Linear lens 30°



Linear lens 60°



Linear lens 90°

Ordering data

| Colour | Height | Weight | Type | Article number |
|------------------|--------|--------|--|----------------|
| Transparent | 9.7 mm | 180 g | LED 0200-2 linear lens 30° – 2 m | 24166408 |
| Transparent | 9.5 mm | 200 g | LED 0200-2 linear lens 60° – 2 m | 24166406 |
| Transparent | 8 mm | 170 g | LED 0200-2 linear lens 90° – 2 m | 24166407 |
| Semi-transparent | 9.7 mm | 180 g | LED 0200-2 linear lens 30° frosted – 2 m | 24166409 |
| Semi-transparent | 9.5 mm | 200 g | LED 0200-2 linear lens 60° frosted – 2 m | 24166410 |
| Semi-transparent | 8 mm | 170 g | LED 0200-2 linear lens 90° frosted – 2 m | 24166411 |

Packaging: 5 pieces/carton

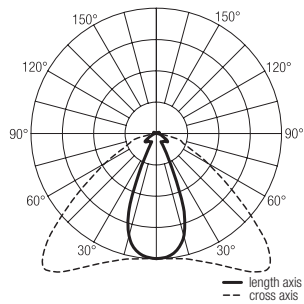
Standards

- EN 60598-1

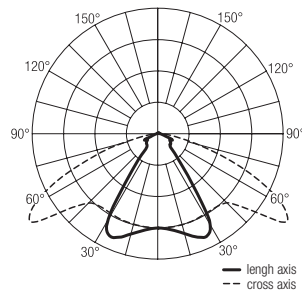
The product passed the glow-wire test with 650 °C according to EN 60598-1.

Light distribution curves TALEX lens O200-2

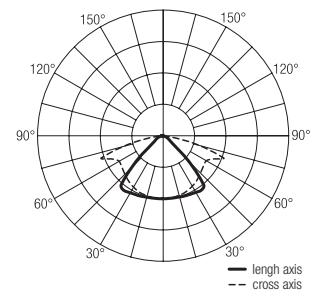
Light distribution 30°



Light distribution 60°



Light distribution 90°



Mounting notes

- The lens has to be slid on the profile. It is not allowed for snapping on the profile. This will cause damage.
- To avoid sliding off the profile, the lens has to be fixed by end caps (e.g. Art.-nr. 24139173, 24139174 for Z22W-2).