

RoHS

TALEXaccessory CONNECT – Bridges

TALEXaccessory CONNECT

Quick Connection System

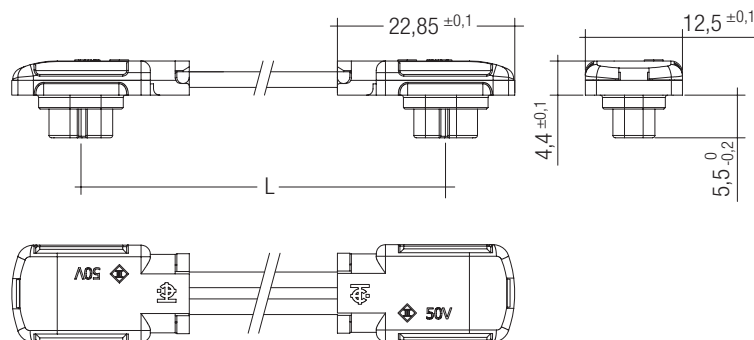
Product description

Link for connecting:

- Two linear LED engines
- Two cable chains of the TALEXspaceLED system
- One LED engine / one TALEXspaceLED cable chain to a distribution box
- Cable: AWG 20, grey

Technical data

Weight 0.011 kg



Ordering data

Length	Type	Article number
30 mm	LED Bridge QCS 30	89601262
50 mm	LED Bridge QCS 50	89601263
100 mm	LED Bridge QCS 100	89601264
250 mm	LED Bridge QCS 250	89601265
400 mm	LED Bridge QCS 400	89601266
800 mm	LED Bridge QCS 800	89601267
1,200 mm	LED Bridge QCS 1200	89601268
2,000 mm	LED Bridge QCS 2000	89601269

Packaging: 5 pieces/bag