

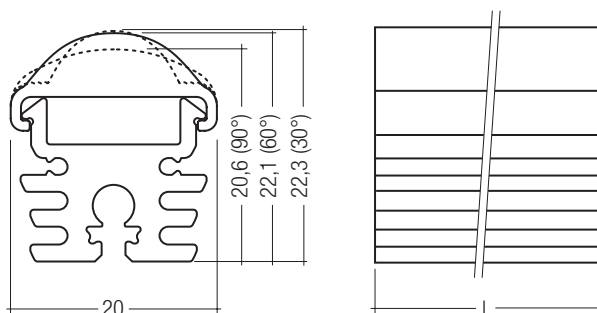
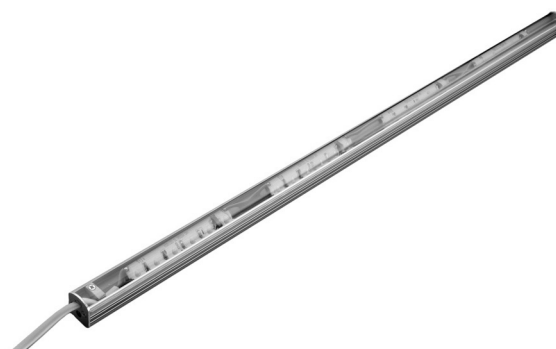
IP20 

TALEXengine LINE  
TALEXengine LINE

Easy Clip System

## Product description

- For displaying products on shelves and in cabinets
- For use in luminaires
- Wide range of products
- Complete solution with standard cable and mounting profile, ready for connection
- Connecting cable: H03VVH, white, length: 1 m
- Cross-section of connecting cable: 2 x 0.75 mm<sup>2</sup>
- High efficiency thanks to directional lighting and integrated heat removal
- High quality of light thanks to a combination of COB LEDs and optics
- Long life: 35,000 hours (for a 70 % drop in luminous flux and tc point temperature of 45 °C)
- Simple installation with mounting plate (optional)
- Can be expanded with extensive accessories (optional)
- Dimmable by pulse width modulation (PWM)
- Cooling section made of anodised, extruded aluminium
- End caps made of aluminium
- Linear lenses made of PMMA
- Safety extra low voltage (SELV), protection class III



## Technical data

Supply voltage DC <sup>®</sup>	24 V
Ambient temperature ta	-30 ... +30 °C
Max. surface temperature on profile tc	60 °C
Type of protection	IP20
Protection class	III



Standards, page 5

Colour temperatures and tolerances, page 7

## Ordering data

Colour temperature	Colour	Lens	Type	Article number
<b>Length 600 mm</b>				
6,500 K	Daylight white	30°	LED LE600 4P130-2 DL 24V - 30° Z22W	89600990
6,500 K	Daylight white	60°	LED LE600 4P130-2 DL 24V - 60° Z22W	89601002
6,500 K	Daylight white	90°	LED LE600 4P130-2 DL 24V - 90° Z22W	89601012
4,200 K	Neutral white	30°	LED LE600 4P130-2 NW 24V - 30° Z22W	89600994
4,200 K	Neutral white	60°	LED LE600 4P130-2 NW 24V - 60° Z22W	89601005
4,200 K	Neutral white	90°	LED LE600 4P130-2 NW 24V - 90° Z22W	89601017
3,000 K	Warm white	30°	LED LE600 4P130-2 WW 24V - 30° Z22W	89600998
3,000 K	Warm white	60°	LED LE600 4P130-2 WW 24V - 60° Z22W	89601008
3,000 K	Warm white	90°	LED LE600 4P130-2 WW 24V - 90° Z22W	89601021
<b>Length 1,000 mm</b>				
6,500 K	Daylight white	30°	LED LE1000 6P130-2 DL 24V - 30° Z22W	89600991
6,500 K	Daylight white	60°	LED LE1000 6P130-2 DL 24V - 60° Z22W	89601003
6,500 K	Daylight white	90°	LED LE1000 6P130-2 DL 24V - 90° Z22W	89601013
4,200 K	Neutral white	30°	LED LE1000 6P130-2 NW 24V - 30° Z22W	89600995
4,200 K	Neutral white	60°	LED LE1000 6P130-2 NW 24V - 60° Z22W	89601006
4,200 K	Neutral white	90°	LED LE1000 6P130-2 NW 24V - 90° Z22W	89601018
3,000 K	Warm white	30°	LED LE1000 6P130-2 WW 24V - 30° Z22W	89600999
3,000 K	Warm white	60°	LED LE1000 6P130-2 WW 24V - 60° Z22W	89601009
3,000 K	Warm white	90°	LED LE1000 6P130-2 WW 24V - 90° Z22W	89601022
<b>Length 1,200 mm</b>				
6,500 K	Daylight white	30°	LED LE1200 7P130-2 DL 24V - 30° Z22W	89600992
6,500 K	Daylight white	60°	LED LE1200 7P130-2 DL 24V - 60° Z22W	89601004
6,500 K	Daylight white	90°	LED LE1200 7P130-2 DL 24V - 90° Z22W	89601014
4,200 K	Neutral white	30°	LED LE1200 7P130-2 NW 24V - 30° Z22W	89600996
4,200 K	Neutral white	60°	LED LE1200 7P130-2 NW 24V - 60° Z22W	89600905
4,200 K	Neutral white	90°	LED LE1200 7P130-2 NW 24V - 90° Z22W	89601019
3,000 K	Warm white	30°	LED LE1200 7P130-2 WW 24V - 30° Z22W	89601000
3,000 K	Warm white	60°	LED LE1200 7P130-2 WW 24V - 60° Z22W	89601010
3,000 K	Warm white	90°	LED LE1200 7P130-2 WW 24V - 90° Z22W	89601023

Packaging: 25 pieces

**Ordering data**

Colour temperature	Colour	Lens	Type	Article number
<b>Length 1,500 mm</b>				
6,500 K	Daylight white	30°	LED LE1500 9P130-2 DL 24V - 30° Z22W	89600993
6,500 K	Daylight white	60°	LED LE1500 9P130-2 DL 24V - 60° Z22W	89601016
6,500 K	Daylight white	90°	LED LE1500 9P130-2 DL 24V - 90° Z22W	89601015
4,200 K	Neutral white	30°	LED LE1500 9P130-2 NW 24V - 30° Z22W	89600997
4,200 K	Neutral white	60°	LED LE1500 9P130-2 NW 24V - 60° Z22W	89601007
4,200 K	Neutral white	90°	LED LE1500 9P130-2 NW 24V - 90° Z22W	89601020
3,000 K	Warm white	30°	LED LE1500 9P130-2 WW 24V - 30° Z22W	89601001
3,000 K	Warm white	60°	LED LE1500 9P130-2 WW 24V - 60° Z22W	89601011
3,000 K	Warm white	90°	LED LE1500 9P130-2 WW 24V - 90° Z22W	89601024

Packaging: 25 pieces

**Specific technical data**

Type	Number of LED modules P130-2	Typ. luminous flux <sup>①</sup>	Power <sup>②</sup>	Colour rendering index CRI <sup>③</sup>	Weight
<b>Length 600 mm</b>					
LED LE600 4P130-2 DL 24V - 30° Z22W	4	424 lm	12 W	75	0.128 kg
LED LE600 4P130-2 DL 24V - 60° Z22W	4	424 lm	12 W	75	0.128 kg
LED LE600 4P130-2 DL 24V - 90° Z22W	4	424 lm	12 W	75	0.128 kg
LED LE600 4P130-2 NW 24V - 30° Z22W	4	352 lm	12 W	80	0.128 kg
LED LE600 4P130-2 NW 24V - 60° Z22W	4	352 lm	12 W	80	0.128 kg
LED LE600 4P130-2 NW 24V - 90° Z22W	4	352 lm	12 W	80	0.128 kg
LED LE600 4P130-2 WW 24V - 30° Z22W	4	324 lm	12 W	80	0.128 kg
LED LE600 4P130-2 WW 24V - 60° Z22W	4	324 lm	12 W	80	0.128 kg
LED LE600 4P130-2 WW 24V - 90° Z22W	4	324 lm	12 W	80	0.128 kg
<b>Length 1,000 mm</b>					
LED LE1000 6P130-2 DL 24V - 30° Z22W	6	636 lm	18 W	75	0.500 kg
LED LE1000 6P130-2 DL 24V - 60° Z22W	6	636 lm	18 W	75	0.128 kg
LED LE1000 6P130-2 DL 24V - 90° Z22W	6	636 lm	18 W	75	0.128 kg
LED LE1000 6P130-2 NW 24V - 30° Z22W	6	528 lm	18 W	80	0.128 kg
LED LE1000 6P130-2 NW 24V - 60° Z22W	6	528 lm	18 W	80	0.128 kg
LED LE1000 6P130-2 NW 24V - 90° Z22W	6	528 lm	18 W	80	0.128 kg
LED LE1000 6P130-2 WW 24V - 30° Z22W	6	486 lm	18 W	80	0.128 kg
LED LE1000 6P130-2 WW 24V - 60° Z22W	6	486 lm	18 W	80	0.128 kg
LED LE1000 6P130-2 WW 24V - 90° Z22W	6	486 lm	18 W	80	0.128 kg
<b>Length 1,200 mm</b>					
LED LE1200 7P130-2 DL 24V - 30° Z22W	7	742 lm	21 W	75	0.128 kg
LED LE1200 7P130-2 DL 24V - 60° Z22W	7	742 lm	21 W	75	0.128 kg
LED LE1200 7P130-2 DL 24V - 90° Z22W	7	742 lm	21 W	75	0.128 kg
LED LE1200 7P130-2 NW 24V - 30° Z22W	7	616 lm	21 W	80	0.128 kg
LED LE1200 7P130-2 NW 24V - 60° Z22W	7	616 lm	21 W	80	0.865 kg
LED LE1200 7P130-2 NW 24V - 90° Z22W	7	616 lm	21 W	80	0.128 kg
LED LE1200 7P130-2 WW 24V - 30° Z22W	7	567 lm	21 W	80	0.128 kg
LED LE1200 7P130-2 WW 24V - 60° Z22W	7	567 lm	21 W	80	0.128 kg
LED LE1200 7P130-2 WW 24V - 90° Z22W	7	567 lm	21 W	80	0.128 kg
<b>Length 1,500 mm</b>					
LED LE1500 9P130-2 DL 24V - 30° Z22W	9	654 lm	27 W	75	0.128 kg
LED LE1500 9P130-2 DL 24V - 60° Z22W	9	954 lm	27 W	75	0.128 kg
LED LE1500 9P130-2 DL 24V - 90° Z22W	9	954 lm	27 W	75	0.128 kg
LED LE1500 9P130-2 NW 24V - 30° Z22W	9	792 lm	27 W	80	0.128 kg
LED LE1500 9P130-2 NW 24V - 60° Z22W	9	792 lm	27 W	80	0.128 kg
LED LE1500 9P130-2 NW 24V - 90° Z22W	9	792 lm	27 W	80	0.128 kg
LED LE1500 9P130-2 WW 24V - 30° Z22W	9	729 lm	27 W	80	0.128 kg
LED LE1500 9P130-2 WW 24V - 60° Z22W	9	729 lm	27 W	80	0.128 kg
LED LE1500 9P130-2 WW 24V - 90° Z22W	9	729 lm	27 W	80	0.128 kg

<sup>①</sup> Tolerance range for optical data: ±15 % (values without lens).

<sup>②</sup> Tolerance range for electrical data: ±15 %.

<sup>③</sup> Exceeding the max. operating voltage leads to an overload on the TALEX module. This may in turn result in a significant reduction in lifetime or even in destruction. Tolerance range for the supply voltage: +2 V / -0 V.

All values at ta = 25 °C and tc profil = 35 °C.

Converters matrix – TALEXengine LINE, constant voltage

		REMOTE LCU												IN-BUILT LCU									
Type	Art. no.	0025 K201 24VDC		0025 K210 24V one4all		0025 K211 24V DALI		LCU 035/24 E020 120-240V		LCU 060/24 E020 120-240V		LCU 100/24 E020 120-240V		LCU 150/24 E020 120-240V		LCU 060/24 D10 120-240V		LCU 100/24 D10 120-240V		LCU 150/24 D10 120-240V			
		86453418	86455937	86455066	24166320	24166324	24166328	24166333	22185184	22185185	22185186												
Assignable converters																							
Type	Art. no.	Number of engines												Number of engines									
		Min.	Max.	Min.	Max.	Min.	Max.	Min.	Max.	Min.	Max.	Min.	Max.	Min.	Max.	Min.	Max.	Min.	Max.	Min.	Max.		
Length – 600 mm																							
LED LE600 4P130-2 DL 24V - 30° Z22W	89600990	1	2	1	2	1	2	1	2	1	2	1	5	1	8	2	14	1	5	1	8	2	14
LED LE600 4P130-2 DL 24V - 60° Z22W	89601002	1	2	1	2	1	2	1	2	1	2	1	5	1	8	2	14	1	5	1	8	2	14
LED LE600 4P130-2 DL 24V - 90° Z22W	89601012	1	2	1	2	1	2	1	2	1	2	1	5	1	8	2	14	1	5	1	8	2	14
LED LE600 4P130-2 NW 24V - 30° Z22W	89600994	1	2	1	2	1	2	1	2	1	2	1	5	1	8	2	14	1	5	1	8	2	14
LED LE600 4P130-2 NW 24V - 60° Z22W	89601005	1	2	1	2	1	2	1	2	1	2	1	5	1	8	2	14	1	5	1	8	2	14
LED LE600 4P130-2 NW 24V - 90° Z22W	89601017	1	2	1	2	1	2	1	2	1	2	1	5	1	8	2	14	1	5	1	8	2	14
LED LE600 4P130-2 WW 24V - 30° Z22W	89600998	1	2	1	2	1	2	1	2	1	2	1	5	1	8	2	14	1	5	1	8	2	14
LED LE600 4P130-2 WW 24V - 60° Z22W	89601008	1	2	1	2	1	2	1	2	1	2	1	5	1	8	2	14	1	5	1	8	2	14
LED LE600 4P130-2 WW 24V - 90° Z22W	89601021	1	2	1	2	1	2	1	2	1	2	1	5	1	8	2	14	1	5	1	8	2	14
Length – 1.000 mm																							
LED LE1000 6P130-2 DL 24V - 30° Z22W	89600991	1	1	1	1	1	1	1	1	1	1	3	1	5	1	8	1	3	1	5	1	8	
LED LE1000 6P130-2 DL 24V - 60° Z22W	89601003	1	1	1	1	1	1	1	1	1	1	3	1	5	1	8	1	3	1	5	1	8	
LED LE1000 6P130-2 DL 24V - 90° Z22W	89601013	1	1	1	1	1	1	1	1	1	1	3	1	5	1	8	1	3	1	5	1	8	
LED LE1000 6P130-2 NW 24V - 30° Z22W	89600995	1	1	1	1	1	1	1	1	1	1	3	1	5	1	8	1	3	1	5	1	8	
LED LE1000 6P130-2 NW 24V - 60° Z22W	89601006	1	1	1	1	1	1	1	1	1	1	3	1	5	1	8	1	3	1	5	1	8	
LED LE1000 6P130-2 NW 24V - 90° Z22W	89601018	1	1	1	1	1	1	1	1	1	1	3	1	5	1	8	1	3	1	5	1	8	
LED LE1000 6P130-2 WW 24V - 30° Z22W	89600999	1	1	1	1	1	1	1	1	1	1	3	1	5	1	8	1	3	1	5	1	8	
LED LE1000 6P130-2 WW 24V - 60° Z22W	89601009	1	1	1	1	1	1	1	1	1	1	3	1	5	1	8	1	3	1	5	1	8	
LED LE1000 6P130-2 WW 24V - 90° Z22W	89601022	1	1	1	1	1	1	1	1	1	1	3	1	5	1	8	1	3	1	5	1	8	
Length – 1.200 mm																							
LED LE1200 7P130-2 DL 24V - 30° Z22W	89600992	1	1	1	1	1	1	1	1	1	2	1	4	1	5	1	2	1	4	1	5		
LED LE1200 7P130-2 DL 24V - 60° Z22W	89601004	1	1	1	1	1	1	1	1	1	2	1	4	1	5	1	2	1	4	1	5		
LED LE1200 7P130-2 DL 24V - 90° Z22W	89601014	1	1	1	1	1	1	1	1	1	2	1	4	1	5	1	2	1	4	1	5		
LED LE1200 7P130-2 NW 24V - 30° Z22W	89600996	1	1	1	1	1	1	1	1	1	2	1	4	1	5	1	2	1	4	1	5		
LED LE1200 7P130-2 NW 24V - 60° Z22W	89600905	1	1	1	1	1	1	1	1	1	2	1	4	1	5	1	2	1	4	1	5		
LED LE1200 7P130-2 NW 24V - 90° Z22W	89601019	1	1	1	1	1	1	1	1	1	2	1	4	1	5	1	2	1	4	1	5		
LED LE1200 7P130-2 WW 24V - 30° Z22W	89601000	1	1	1	1	1	1	1	1	1	2	1	4	1	5	1	2	1	4	1	5		
LED LE1200 7P130-2 WW 24V - 60° Z22W	89601010	1	1	1	1	1	1	1	1	1	2	1	4	1	5	1	2	1	4	1	5		
LED LE1200 7P130-2 WW 24V - 90° Z22W	89601023	1	1	1	1	1	1	1	1	1	2	1	4	1	5	1	2	1	4	1	5		
Length – 1.500 mm																							
LED LE1500 9P130-2 DL 24V - 30° Z22W	89600993									1	1	1	2	1	3	1	5	1	2	1	3	1	5
LED LE1500 9P130-2 DL 24V - 60° Z22W	89601016									1	1	1	2	1	3	1	5	1	2	1	3	1	5
LED LE1500 9P130-2 DL 24V - 90° Z22W	89601015									1	1	1	2	1	3	1	5	1	2	1	3	1	5
LED LE1500 9P130-2 NW 24V - 30° Z22W	89600997									1	1	1	2	1	3	1	5	1	2	1	3	1	5
LED LE1500 9P130-2 NW 24V - 60° Z22W	89601007									1	1	1	2	1	3	1	5	1	2	1	3	1	5
LED LE1500 9P130-2 NW 24V - 90° Z22W	89601020									1	1	1	2	1	3	1	5	1	2	1	3	1	5
LED LE1500 9P130-2 WW 24V - 30° Z22W	89601001									1	1	1	2	1	3	1	5	1	2	1	3	1	5
LED LE1500 9P130-2 WW 24V - 60° Z22W	89601011									1	1	1	2	1	3	1	5	1	2	1	3	1	5
LED LE1500 9P130-2 WW 24V - 90° Z22W	89601024									1	1	1	2	1	3	1	5	1	2	1	3	1	5

**Accessories matrix – TALEXaccessory MOUNT**

Type	LED FIXING PLATE ECS 0°	LED FIXING PLATE ECS 15°	LED FIXING PLATE ECS 30°	LED FIXING PLATE ECS 45°	LED FIXING PLATE ECS 60°	Mounting bracket adjustable
Art. no.	88166859	88167372	88167373	88167374	88167375	24166024
Type	Assignable accessories					
With end caps made of aluminium	•	•	•	•	•	•

### Standards

- EN 60598-2-1
- EN 62031
- EN 62471

### Note



- Reversing the polarity may damage TALEXengine LINE.
- There is no provision for chaining multiple TALEXengine LINE units

### Electrical supply

TALEXengine LINE modules from Tridonic are not protected against overvoltages, overcurrents, overloads or short-circuit currents. Safe and reliable operation can only be guaranteed in conjunction with a converter which complies with the relevant standards. The use of TALEX converters from Tridonic in combination with TALEXengine LINE guarantees the necessary protection for safe and reliable operation.

If a converter other than Tridonic TALEXconverter is used, it must provide the following protection:

- SELV
- Short-circuit protection
- Overload protection
- Overtemperature protection

### Thermal behaviour

ta	tc point profil <sup>①</sup>	tc point module <sup>①</sup>
-30 °C	0 °C	10 °C
0 °C	30 °C	40 °C
20 °C	50 °C	60 °C
30 °C <sup>②</sup>	60 °C <sup>②</sup>	70 °C <sup>②</sup>

① The values apply to operation at 100% output, natural convection

② If the maximum temperature limits are exceeded, the life of the LED will be greatly reduced or the LED may be destroyed.

The tc point temperature on the profile of TALEXengine LINE should be measured in the thermally stable state and under operating conditions by means of a temperature sensor or temperature-sensitive sticker (available for example from [www.conrad.com](http://www.conrad.com), [www.rs-components.com](http://www.rs-components.com)) as per EN60598-1. The backside of TALEXengine LINE can be used as the tc point.

### Wiring

Cable: H03VVH; cross-section 2x0.75 mm<sup>2</sup>; white; length: 1.0 m

	Cord 1	Cord 2
Colour	Red	Black
Function	+	-

### Cable length

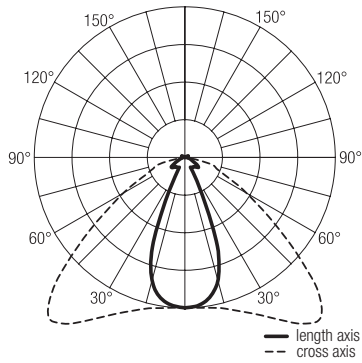
In view of the voltage drop along the cable, a voltage of at least 24 V must be applied to TALEXengine LINE in order to achieve the rated luminous flux.

#### Maximum cable length for operation with TALEX converter

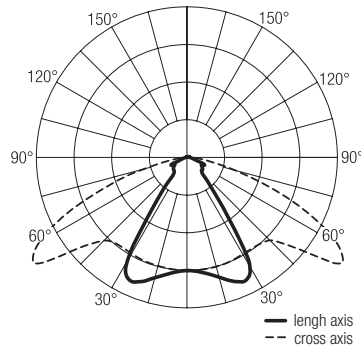
Type	0.75 mm <sup>2</sup>	1.0 mm <sup>2</sup>	1.5 mm <sup>2</sup>	2.5 mm <sup>2</sup>
<b>24V</b>	6.5 m	8.5 m	13 m	22 m

Optical properties (DL, LE1500)  
ta = 25 °C / tc Punkt Profil = 35 °C

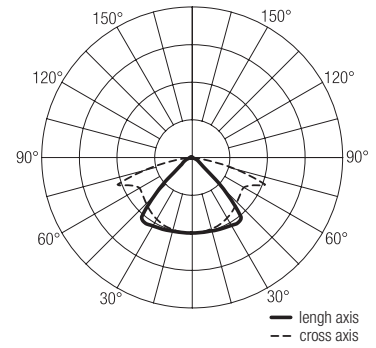
Light distribution 30°



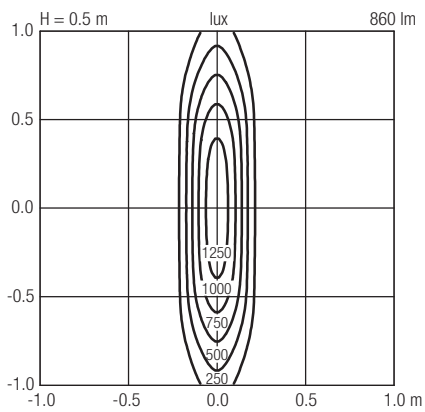
Light distribution 60°



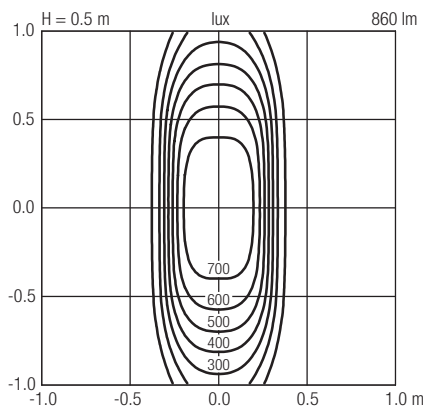
Light distribution 90°



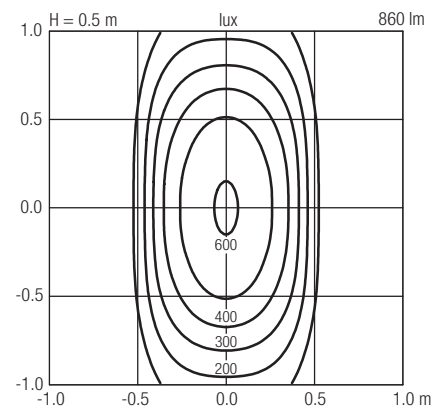
Illuminance distribution 30° (0.5 m)



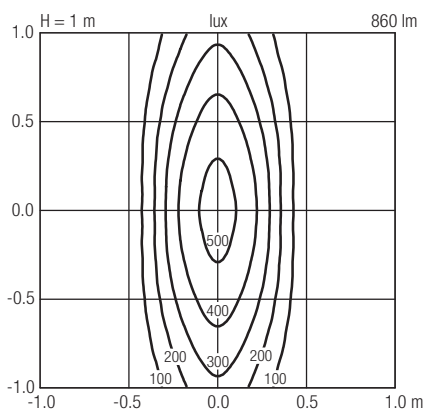
Illuminance distribution 60° (0.5 m)



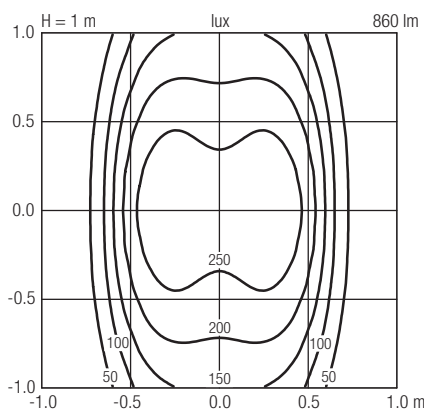
Illuminance distribution 90° (0.5 m)



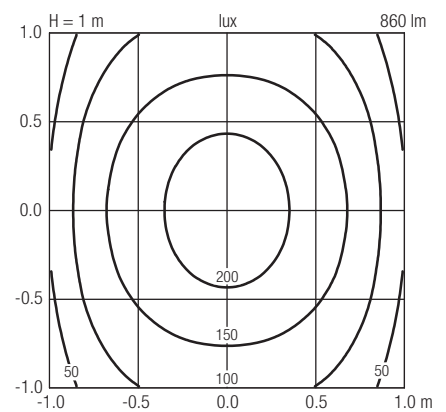
Illuminance distribution 30° (1.0 m)



Illuminance distribution 60° (1.0 m)



Illuminance distribution 90° (1.0 m)



Coordinates and tolerances according to CIE 1964

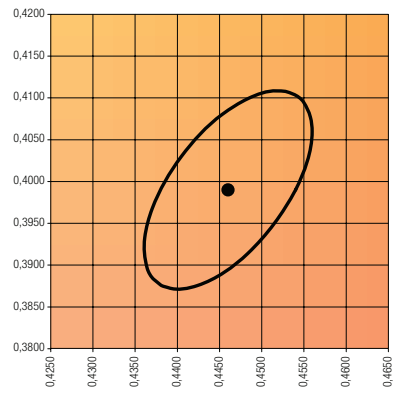
CIE coordinates:

3.000 K

	x0	y0
Centre	0.4460	0.3990

MacAdam ellipse: 5SDCM

Warm white



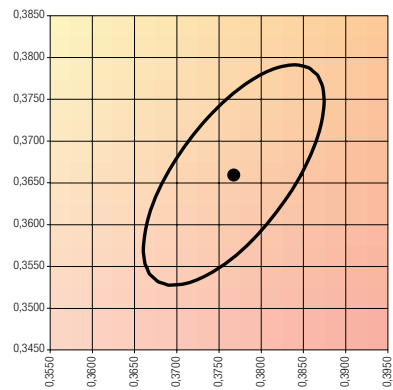
CIE coordinates:

4.200 K

	x0	y0
Centre	0.3770	0.3660

MacAdam ellipse: 5SDCM

Neutral white



CIE coordinates

6.500 K

	x0	y0
Centre	0,3200	0,3270

MacAdam ellipse: 5SDCM

Daylight white

