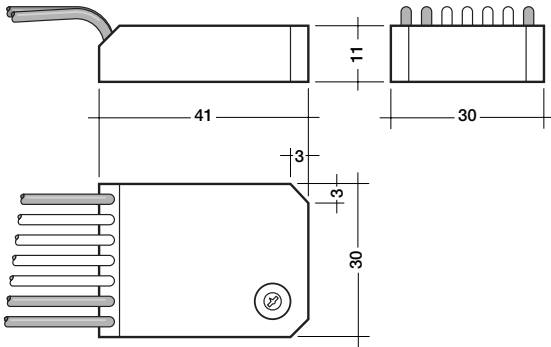


DALI GC-A



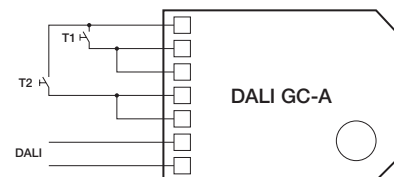
Functional description:

- Ultra compact control module for dimming and switching of two DALI groups with conventional momentary switches.
- Assigning of momentary switches to specific groups is done by selecting the group range via a turn switch on the back of the module.
- DALI GC-A modules allow multi master operation. Multiple control modules can be used on the same comfortDIM DALI network.
- Addressing of individual ballasts and assigning ballasts to DALI groups can be done only within using the programming tool winDIM or the DALI-TOOL (www.tridonicatco.com downloads). The overall big advantage is that this is a protection of re-programming of scenes and groups via the simple "momentary switch" sequence.

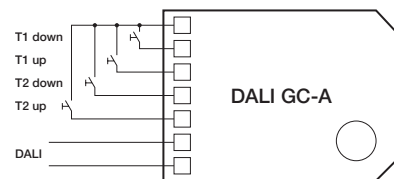
Montage/Installation:

- The DALI GC-A is inserted into the mounting box for the momentary switch.
- The DALI GC must not be connected to the mains. It is supplied directly via the DALI signal line.
- The momentary switches are connected directly to the DALI GC-A (potential free contacts) and must not be connected to the mains.
- DALI signals are not SELV. Therefore the same procedures should be applied as working with mains voltage.

Type	DALI GC-A	
article number	241 38907	
supply	–	via DALI signal line
current	–	6 mA
input	2 momentary switches	single or twin
output	–	DALI (broadcast)
groups	–	2 (broadcast) from 16
temperature	permitted ambient temperature	0–50 °C



single momentary switch



twin momentary switch

