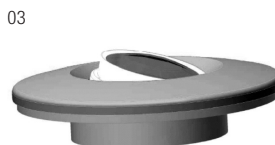
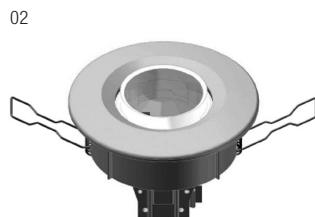


**DALI-MSensor**  
comfortDIM



**Overview**

The DALI-MSensor is an ideal addition to the comfortDIM system as it offers daylight-dependent control and presence detection. With its built-in intelligence it gives a DALI standalone system the important ability to detect movement in a room and to control the lighting levels on the basis of available daylight.

The DALI-MSensor provides the bridge from an event-controlled environment to a system that is automatically regulated as a function of available daylight.

This control module is an important addition to the overall system which previously consisted of the DALI power supply (DALI PS/PS1), the DALI scene controller (DALI/SC/SC-A) and the DALI group controller (DALI/GC/GC-A).

As an option, the DALI-MSensor can be operated from two remote controls. The remote controls available with the system are the DALI-RC and the IR smartController, familiar from DSI applications.

The DALI-MSensor has been designed for the following principal applications:

- Individual offices
- Open-plan offices
- Training/presentation rooms
- Corridors, passageways, garages

**To activate lighting control**

- IR smartController: Press the Automatic button
- DALI-RC: Press the Automatic button
- Motion detector: Automatically activates the control mode as soon as the lighting level falls below a certain threshold

**To deactivate lighting control**

- IR smartController: Change the brightness level. (Press the ON, OFF, UP or DOWN button)
- DALI-RC: Press any button except the Automatic button.

Lighting control can be activated or deactivated overall.

**To set the threshold control point**

- IR smartController: The setpoint value can be set with the Set key
- DALI-RC: In programming mode with the Automatic button (Icons: sun/moon)

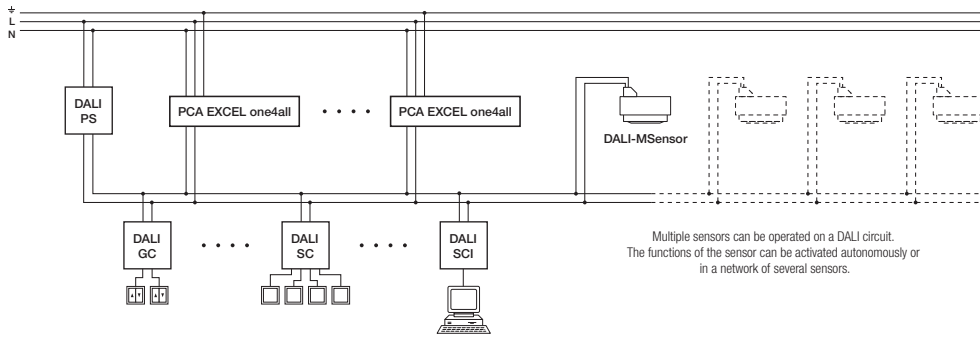
Motion detection can be activated or deactivated overall.

**Developed in accordance with:**

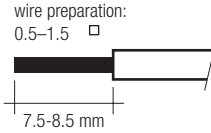
- EN 61547
- EN 61347-2-11
- EN 55015

Type			DALI-MSensor 01	DALI-MSensor 02	DALI-MSensor 03	DALI-MSensor 04
Article number			86458265	86458267	86458268	86458269
Power supply	Via the DALI bus	mA	6	6	6	6
	max. load	W	0.1	0.1	0.1	0.1
Detection	Detection range, mounted at a height of 2.5 m	∅, m	5	5	5	5
	Increase in detection area at 2.5 m mounting height, swivelled at 15°	m	cannot be swivelled	2	2	cannot be swivelled
	Swivel range	°	–	±15	±15	–
	Detection angle	°	360	360	360	360
	Light measurement at the sensor head ①	lx	10–650	10–650	10–650	10–650
	Range of the remote control	m	5	5	5	5
Dimensions	Diameter	mm	46	90	103	86
Installation	–	–	fitted in luminaire	recessed into ceiling	fitted in socket	surface-mounted
Ambient conditions	Operating temperature	°C	0 to +50	0 to +50	0 to +50	0 to +50
	Type of protection	–	IP20	IP20	IP20	IP20
	Storage temperature	°C	-25 to +55	-25 to +55	-25 to +55	-25 to +55
	Relative humidity, no condensation	%	95	95	95	95
	Installation position	–	variable	variable	variable	variable
	Fastening	–	–	–	4 dowels ∅ 5 mm 4 screws 13 mm 4 screws 25 mm	2 dowels ∅ 5 mm 2 screws 13 mm 2 screws 25 mm

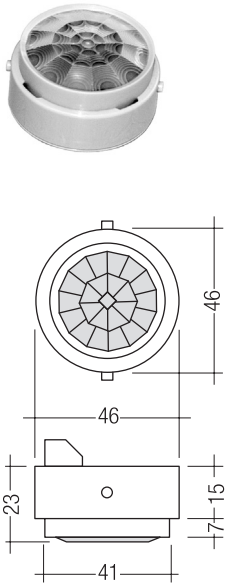
① The measured value on the sensor head is equivalent to approximately 15 to 2,000 lux on the reference surface.



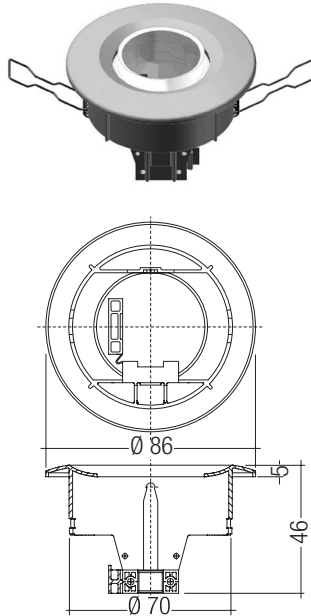
**Wiring type and cross section:**  
The wiring can be solid wire or stranded wire with a cross-section of 0.5 mm<sup>2</sup> to 1.5 mm<sup>2</sup>.



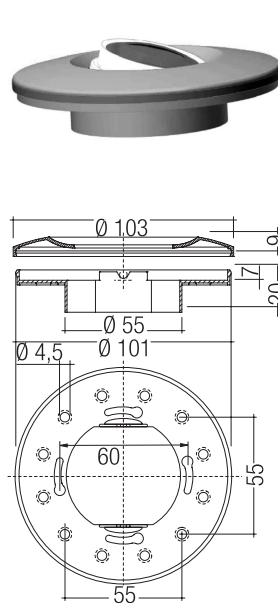
**DALI-MSensor 01**  
fitted in luminaire  
Article number: 86458265



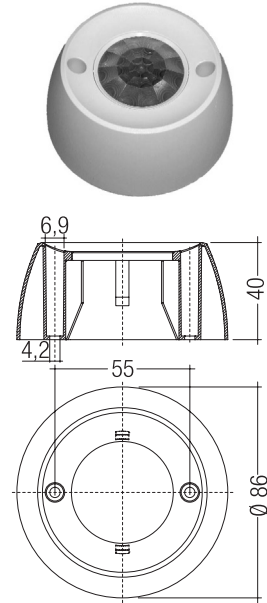
**DALI-MSensor 02**  
recessed into ceiling  
Article number: 86458267



**DALI-MSensor 03**  
fitted in socket  
Article number: 86458268



**DALI-MSensor 04**  
surface-mounted  
Article number: 86458269



**Remote controls**

The DALI-MSensor can be operated with two remote controls.

**IR smartController (article number 86451922)**

The IR smartController is used to operate an assigned luminaire group in the DALI system. This remote control offers the following functions:

- Switching the luminaire group ON and OFF
- Fading the luminaire group UP and DOWN
- Activating lighting control (Automatic)
- Setting the threshold control point (Set button)



IR smartController



DALI-RC

**DALI-RC (article number 86458263)**

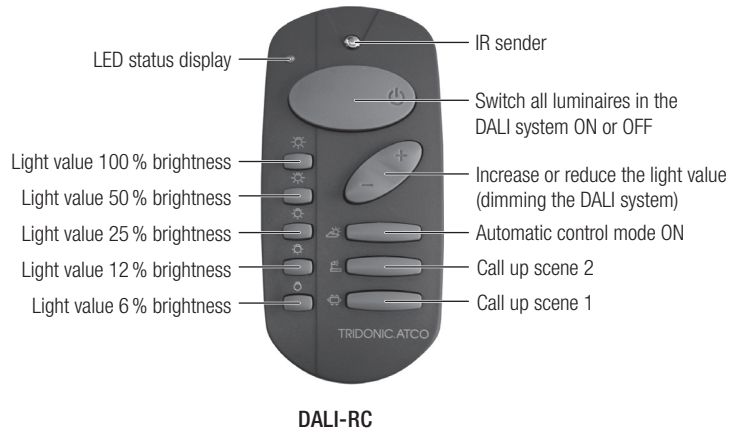
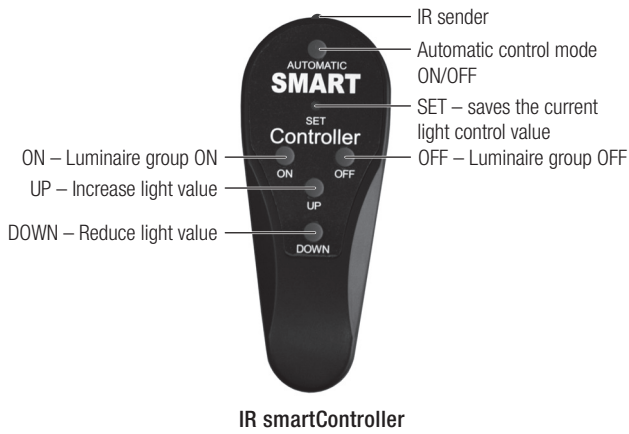
DALI-RC adds a further module to the system. The IR smartController makes the system easy to operate using the functions stored in the unit. The DALI-RC remote control offers further system control options. The DALI-RC is designed to aid installation, to be used as a programming tool and to operate the entire system. Once again, the simple operating concept of the comfortDIM system has been extended to this unit. The remote control can be set to operate only certain groups with the aid of a code switch (in the battery compartment of the remote control). Pressing a button in the battery compartment selects the programming mode or the installation mode.

The following functions are available in user mode:

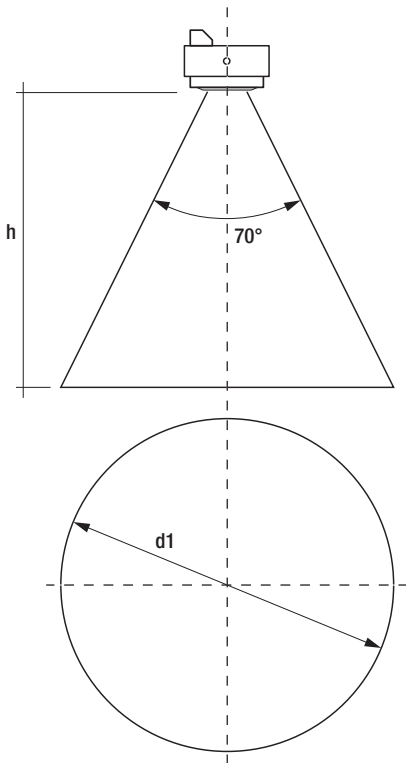
- Switching on and off (ON/OFF button)
- Fading up and down (UP/DOWN button)
- Activating control (sun/cloud button)
- Calling up either of scenes (presentation and meeting buttons)
- 5 buttons for directly selecting different brightness levels (lamp buttons)

DALI-RC is shipped with a wall holder.

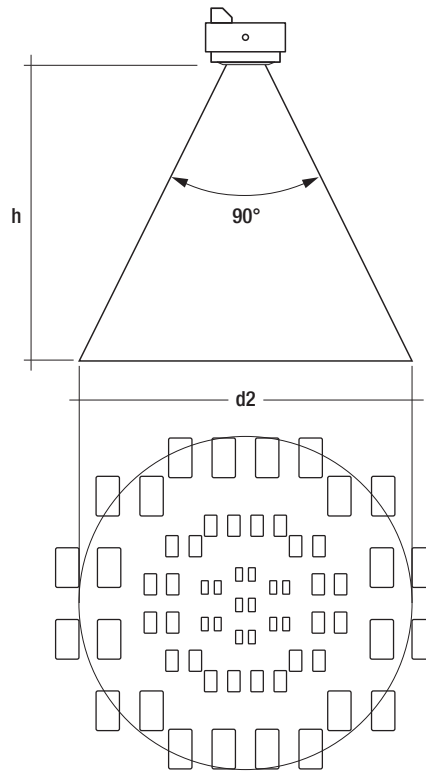
Key assignment



Light level recognition area



Motion detection

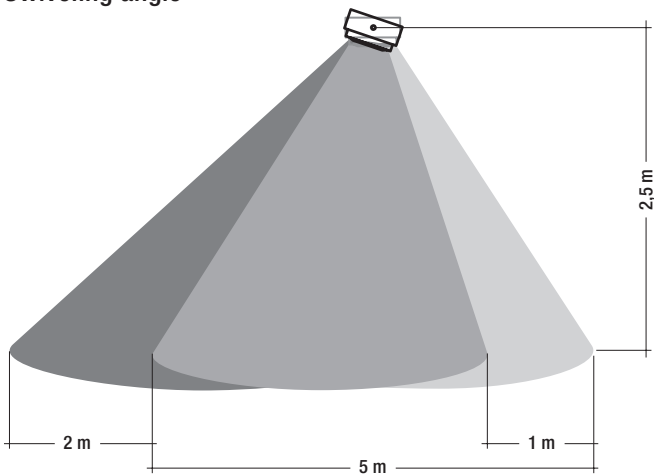


$h^*$	$d1$	$d2$
1.7 m	2.4 m	3.4 m
2.0 m	2.8 m	4.0 m
2.3 m	3.2 m	4.6 m
2.5 m	3.5 m	5.0 m
2.7 m	3.8 m	5.4 m
3.0 m	4.2 m	6.0 m
3.5 m	4.9 m	7.0 m
4.0 m	5.6 m	8.0 m

\* The recommended maximum room height for office applications is 3 m and for corridor applications for example 4 m.

Calculation of the diameter:  $d = 2 \times \tan(0,5 \times \alpha) \times h$

### Swiveling angle

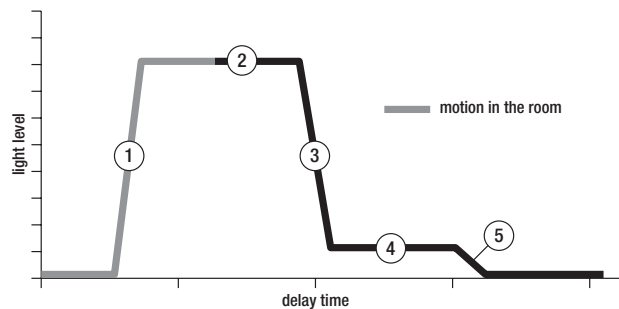


### General Settings

Parameter	Default Values
Motion Detector	Enabled, on/off
Light Regulation	Enabled
Light Regulation Point	Not set
Power On Setting	No action
Bright-out timeout	10 min
Bright-out threshold	150 %
Control speed	4
Switch On Level	auto
Rotary Switch	0, Broadcast

### Default Parameter Motion Detector

Parameter	Default Values
1 ON Fading	<0,7 s
ON Light Level	Regulated
2 ON Delay Time	20 min
3 MIN Fading	5,6 s
MIN Light Level	3 %
4 MIN Delay Time	10 min
5 OFF Fading	5,6 s
EXIT Delay Time	10 min



### Rotary Switch

DALI-Grouping is done with the rotary switch. The rotary switch is at the backside of the DALI-MSensor.

Position	Luminaire Group	Sensor Input Group
0	Broadcast	DALI Group 1
1	DALI Group 1	DALI Group 2
2	DALI Group 2	DALI Group 3
3	DALI Group 3	DALI Group 4
4	DALI Group 4	DALI Group 5
5	DALI Group 5	DALI Group 6
6	DALI Group 6	DALI Group 7
7	DALI Group 7	DALI Group 8
8	DALI Group 8	DALI Group 9
9	DALI Group 9	DALI Group 10
A	DALI Group 10	DALI Group 11
B	DALI Group 11	DALI Group 12
C	DALI Group 12	DALI Group 13
D	DALI Group 13	DALI Group 14
E	DALI Group 14	DALI Group 15
F	DALI Group 15	DALI Group 16