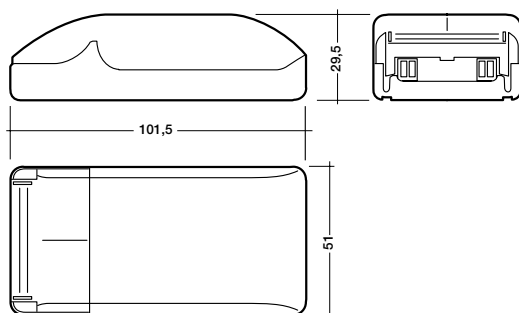


## DALI leading and trailing-edge phase dimmers

DALI-PCD 300 one4all  
Leading and trailing-edge phase dimmers 30–300 VA

Phase dimmers with automatic load detection, leading-edge or trailing-edge. They are controlled via switches (switchDIM) or via a DALI/DSI signal.

Total connected load: 30–300 VA

**Area of application:**

Digital phase dimmers enable low-voltage tungsten-halogen lamps, in conjunction with electronic or magnetic transformers, and ohmic light sources (incandescent lamps) with a total output of 30 to 300 VA to be dimmed.

Control is either via a DALI/DSI signal or directly connected switches (switchDIM).

**switchDIM:**

When a new unit is installed in an existing system or when the system is first put into operation the individual units are not

synchronised. This means that some units will be at status on and some at status off. Pressing the switch briefly will change the status; units previously on will be switched off, but the rest will be switched on. By pressing the switch for longer than 10 seconds all the units will be synchronised to the same status.

The synchronisation process is completed when all the lamps have assumed the same light value (50 %).

The same synchronisation process may also be necessary during normal operation if an individual unit becomes unsynchronised because of an incorrect switching operation.

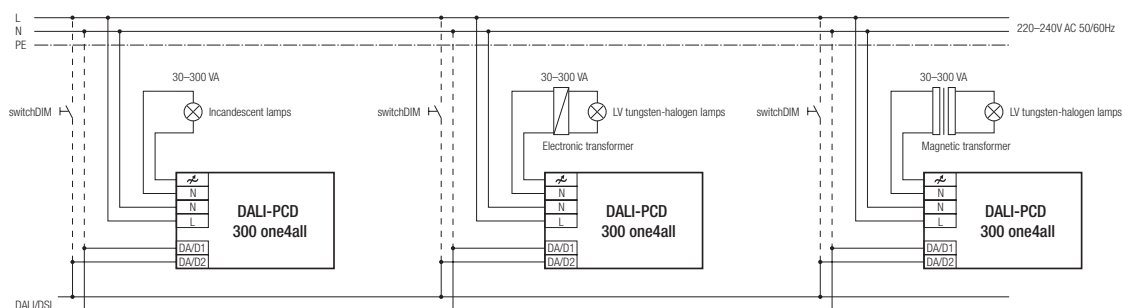
**Approvals:**

EN 61547  
EN 61347-2-11  
EN 60669-2-1  
EN 55015  
EN 55022  
EN 61000-3-2

**DALI addressing:**

The DALI PCD 300 one4all also supports physical DALI addressing. Press the button between the terminals to assign the address.

Type		DALI-PCD 300 one4all		
Article number:			86458303	
Power supply:	Rated voltage	V AC	220–240	
	Permitted input voltage	V AC	198–264	
	Frequency	Hz	50/60	
	Connected load	VA	30–300	
	Power loss	W	0.75 (1.8 W at full load)	
Inputs:	DALI/DSI control input or switchDIM	–	1	
Outputs:	Dimmed phase	–	1	
	Control range DSI	%	0; 1–100	
	Control range DALI	%	0; 0.1–100	
Mechanical details:	Dimensions L x W x H	mm	101.5 x 51 x 29.5	
	Terminals	mm <sup>2</sup>	0.5–1.5	
	Installation	–	universal	
	Casing material	–	flame-resistant polycarbonate; halogen-free	
	Weight	g	approx. 85	
	Temperature:	Permissible ambient temperature	°C	0 → +50
	Type of protection:			IP 20
Status LED for the operating mode:	Normal operation:	LED off		
	Overload:	LED flashes slow (1/sec.)		
	Short-circuit:	LED flashes fast (5/sec.)		
	Permanent short-circuit/overtemperature:	LED on		



Mixed loads (capacitive, inductive and ohmic) may be used.