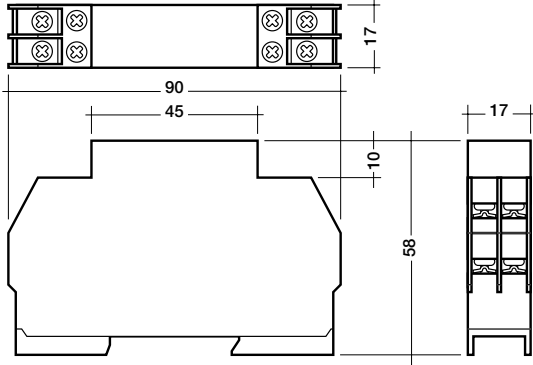


DALI Repeater
For extending the DALI cable length



- With the DALI Repeater the maximum wire length of the DALI control line can be extended from 300 m to 600 m
- The repeater amplifies the DALI signal
- Electrical isolation between the main control circuit and the subordinate control circuit
- In Single-Master applications star networks with multiple repeaters can be set up (e.g. to optimise the use of e-touchBOX)

Installation

- Because of the signal delay it is not possible to connect DALI repeaters in series (no cascading) – see note relating to the wiring diagram
- There is no increase in the maximum number of DALI units. A maximum of 64 DALI units can be

configured in a DALI circuit (main and subordinate circuit).

- There is no restriction on how the DALI units are distributed
- Particular notice has to be taken of the not allowed cascading, if more than one DALI control is connected to the DALI circuit
- An additional DALI PS/PS1 is needed for each subordinate circuit
- The DALI signal is not SELV. The installation instructions for low voltage therefore apply
- The length of the DALI control line after the DALI repeater must not exceed 300 m (for a cable cross-section of 1.5 mm²) or the drop in voltage must not exceed 2 V.

Developed in accordance with:

- EN 55015: 2000
- EN 55011/1998 + A1/1999
- EN 61547: 1995 + A1: 2000
- EN 61000-6-2/2001
- EN 61000-3-2/2000
- EN 61000-3-3/1995 + A1/2001
- EN 60730

Packaging:

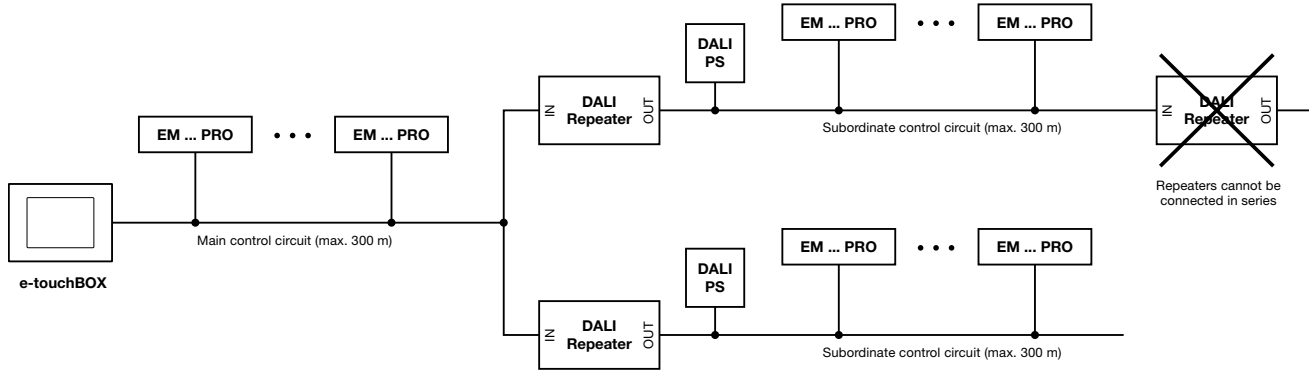
Single pack
1 per box

Type			DALI Repeater
Article number			86458401
Power supply	Main control circuit (IN)	mA	6 (via DALI bus)
	Subordinate control circuit (OUT)	mA	4 (via DALI bus)
Input	–	–	DALI
Output	–	–	DALI
Mounting	–	–	DIN rail mounting
	Mounting position	–	any
Mechanical data	Dimensions LxWxH	mm	90x58x17
	Weight	g	60
Environment	Type of protection	–	IP 20
	Protection class	–	SK 2
Temperature	Operating temperature	°C	0 → 50
	Storage temperature	°C	-20 → 70

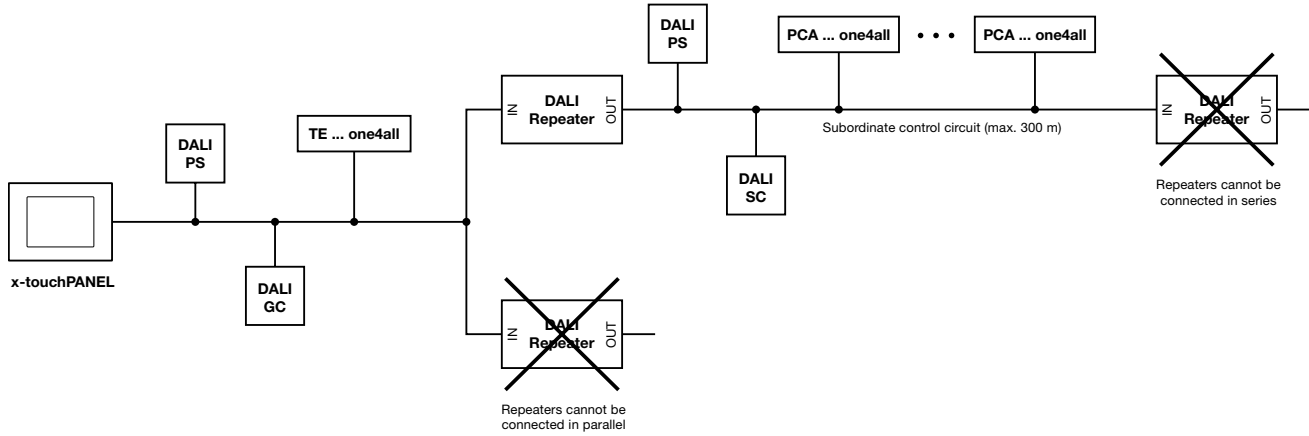


Connection diagram

Single-Master application



Multi-Master application



Attention

No star network possible, due to DALI actors in the subordinate control circuit. This would cause a not allowed cascading. For example the DALI command of the DALI SC in the subordinate control circuit ① passes two repeaters to the subordinate control circuit ②.

