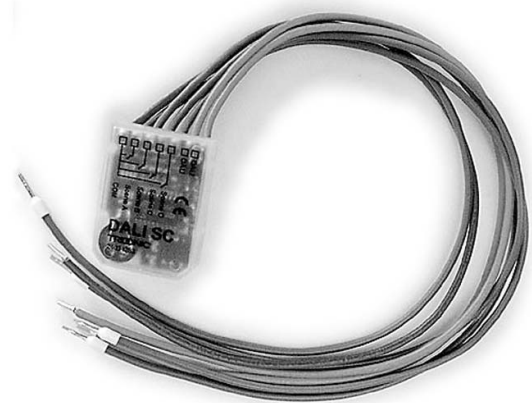
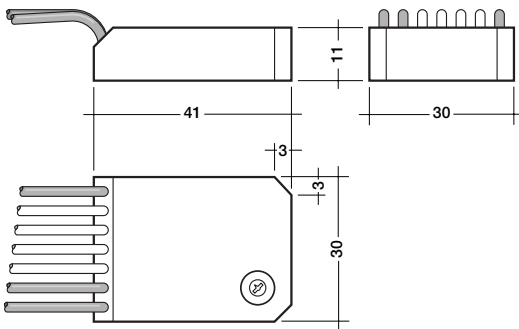


DALI SC-A



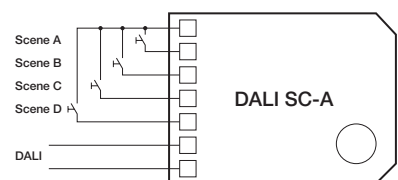
Functional description:

- Ultra compact control module to set and recall lighting-scenes from DALI ballasts with conventional momentary switches.
- Assigning of momentary switches to specific lighting-scenes is done by selecting the scenes range via a turn switch on the back of the module.
- DALI SC-A modules allow multi master operation. Multiple control modules can be used on the same comfortDIM DALI network.
- Addressing of individual ballasts and assigning ballasts to DALI scenes can be done only within using the programming tool winDIM or the DALI-TOOL ([www.tridonicatco.com](http://www.tridonicatco.com) downloads). The overall big advantage is that this is a protection of re-programming of scenes via the simple "momentary switch" sequence.

Installation:

- The DALI SC-A is inserted into the mounting box for the momentary switch.
- The DALI SC-A must not be connected to the mains. It is supplied directly via the DALI signal line.
- The momentary switches are connected directly to the DALI SC-A (potential free contacts) and must not be connected to the mains.
- DALI signals are not SELV. Therefore the same procedures should be applied as working with mains voltage.

Type	DALI SC-A	
article number	24138906	
supply	–	via DALI signal line
current	–	6 mA
input	4 momentary switches	single
output	–	DALI (broadcast)
scenes	–	4 (broadcast) from 16
temperature	permitted ambient temperature	0–50 °C



single momentary switch

