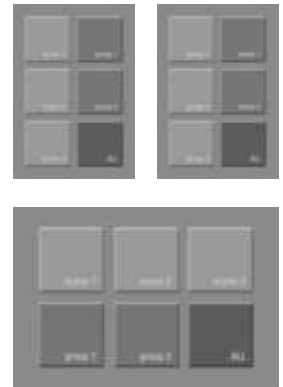
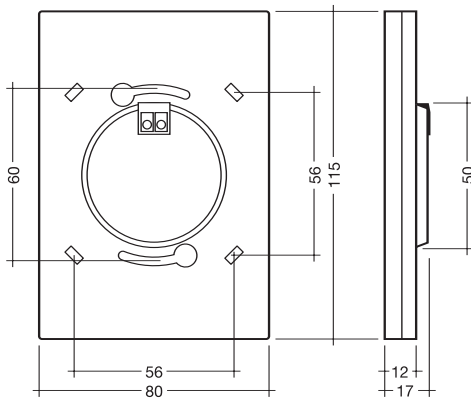


DALI control modules for PCA EXCEL one4all/TE one4all/LED
For wall mounting

DALI TOUCHPANEL
Module for independent control of DALI systems



Examples of possible control panels

The multi-functional touch panel has been designed to operate with DALI. A variety of Touch panel functions can be easily selected. The DALI TOUCHPANEL allows the user to control different luminaire groups as well as recalling pre-set light scenes. The DALI TOUCHPANEL shows its versatility in the design stage with a number of unique features that allow customisation of the touchpanel. Different coloured frames can be attached to suit the decor of the installation and the paper switch template can be customised to suit the needs of the user.

Commissioning of DALI installations can be undertaken from each DALI TOUCHPANEL. The different programming modes can be selected easily. As with all other comfortDIM modules the DALI TOUCHPANEL allows multi master operation. That means several comfortDIM control modules can be used on the same DALI loop in parallel.

Packaging:
single pack
1 piece

Wiring:
page 151, figure G
page 152, figure K

type		DALI TOUCHPANEL	
article number			24035465
supply	–	–	via DALI signal line
current	–	mA	2
output	–	–	DALI
addresses	groups	–	1-14/broadcast
	scenes	–	1-16
temperature	permitted ambient temperature	°C	0-50