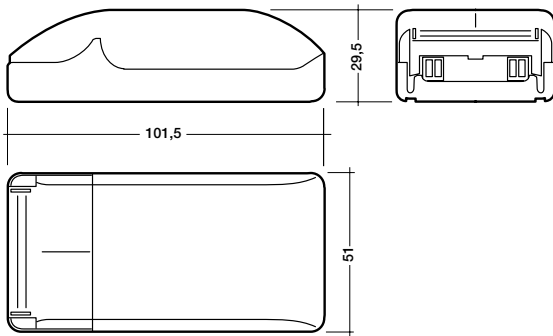


DALI control modules for PCA EXCEL one4all/TE one4all/LED

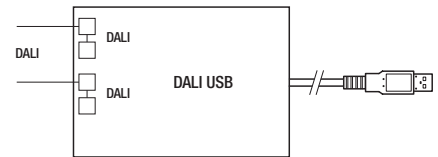
**DALI USB**  
Computer interface between PC (USB) and DALI



The interface module DALI USB is used to connect Personal Computers directly to the DALI network.

**Packaging:**  
single pack  
1 piece

This means that complex DALI lighting control solutions can be easily addressed and programmed and that the parameters of the ballasts can be changed.

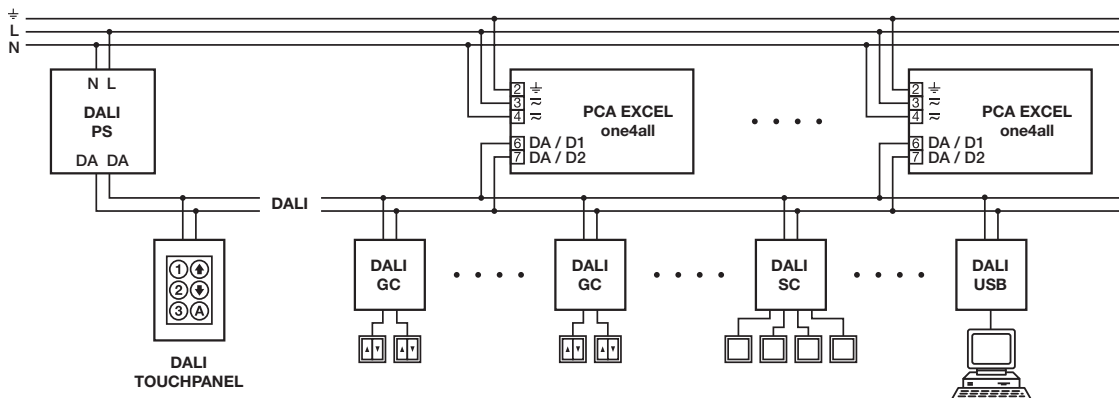


Connection diagram

**Attention:**

The DALI USB cannot be used together with winDIM.

Type		DALI USB	
article number			24138923
supply			via DALI signal line and USB
current		mA	6 (DALI signal line)
input	USB (Personal Computer)		1
output	DALI		1
temperature	permitted ambient temperature	°C	0-50



For further technical information please visit [www.tridonicatco.com](http://www.tridonicatco.com)