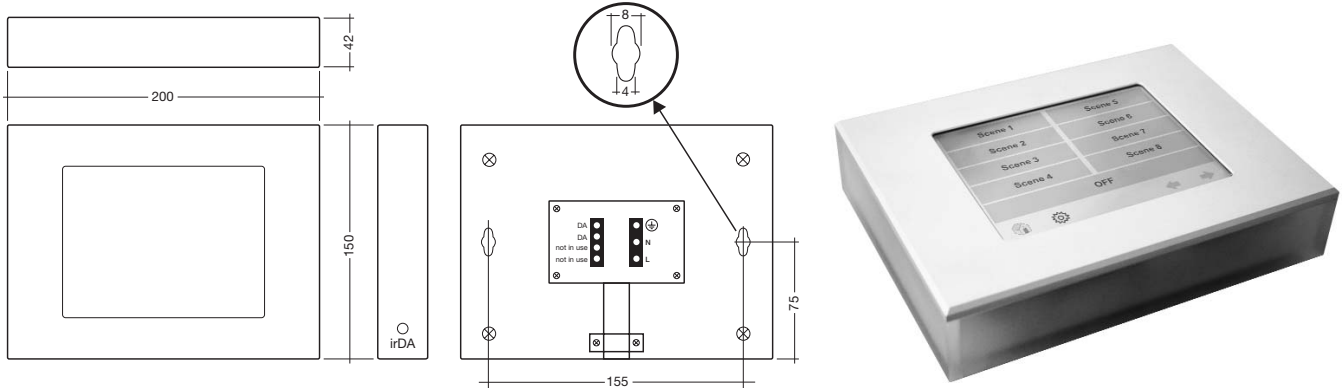


**luxCONTROL DALI x-touchBOX**  
comfortDIM



**x-touchBOX:**

- Lighting management system for 64 DALI units with integrated DALI bus supply.
- Colour touch screen (5.7").
- User-friendly application software.

**Functions:**

- Manual dimming and switching
- Manual scene selection
- Time-controlled scene selection (sequencing) maximum of 99 sequences
- Calendar-controlled scene selection (scheduling) maximum of 7 schedules

User-defined labelling of scenes, groups, sequences and schedules.  
Software updates with PC via irDA interface.

**DALI system functions:**

- Addressing
- Grouping
- Scene defining

**Applications:**

Changing lighting scenes in offices, restaurants, homes, shop interiors and shop windows.

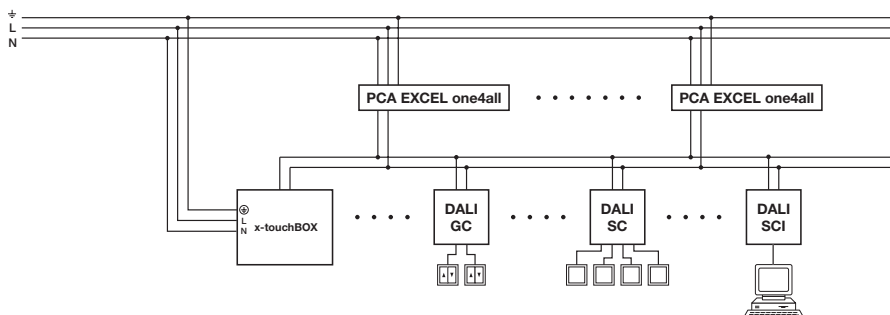
**Assembly/installation:**

- The x-touchBOX is connected to the DALI bus and to the mains supply
- No external DALI bus supply needed
- Simple fixing with two screws at the back
- Screws, dowels and drilling template included
- DALI is not SELV. The installation instructions for low voltage therefore apply.

**Designed according to:**

- EN 61547
- EN 6000-3-2
- EN 6000-6-2
- EN 6000-3-3
- EN 55015
- EN 55011

Type		x-touchBOX	
Article number:		24138954	
Power supply:	Mains voltage	V	110–240
	Mains frequency	Hz	50/60
	Max. load	W	10
Input:	–	–	Touch panel (5.7" / 320x240 / 256 colours)
	–	–	irDA interface
Output:	–	–	DALI
	Current	mA	200
Temperature:	Ambient temperature ta	°C	0–50
Weight	–	kg	0.92
Dimensions LxWxH	–	mm	200x150x42
Fixing centres (D)	–	mm	155
Protection class	–	–	SK I



For further technical information please visit [www.tridonicatco.com](http://www.tridonicatco.com)