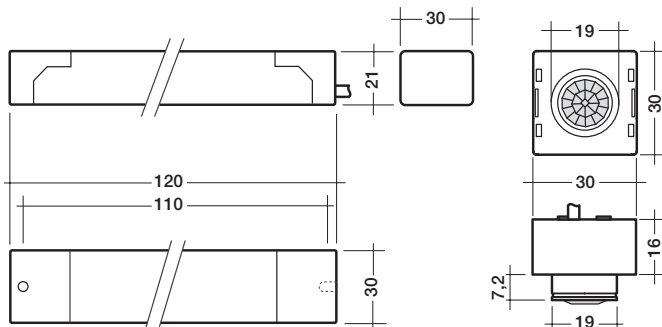


Switching module for non dimmable ballasts (e.g. PC PRO)
For building into luminaires

smartSWITCH
Automatic switching depending on presence and light value



smartSWITCH is a presence detector for building into luminaires and enables automatic switching (ON/OFF) of luminaires equipped with electronic ballasts (e.g. PC PRO). To save further energy smartSWITCH uses the bright out function to avoid switching on if the illumination level is high enough.

- Delay time: 5 s – 30 min
- BRIGHT OUT light value: OFF, 50 – 2000 lx
- Delay time: 5 s
- BRIGHT OUT light value: OFF

Packaging:
box of 10

Smart switch parameters can be set by two potentiometers placed on the sensor. This means the presence detector delay time and the light value of the BRIGHT OUT function can be set to user specific values.

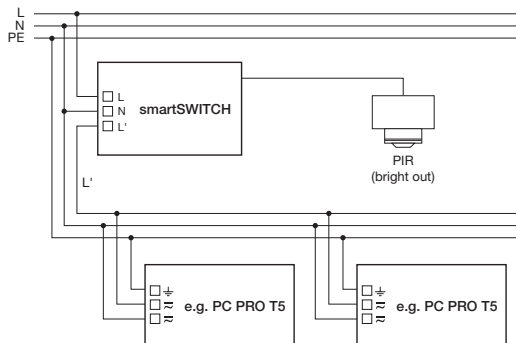
The LOW PROFILE housing concept (21 x 30 mm) gives increased design freedom for luminaire designs.

- smartSWITCH is available in two versions:
- completely without strain relief
 - with one strain relief on the sensor side

Type			smartSWITCH II without strain relief ①	smartSWITCH with strain relief ①
article number:			86458452	86458246
electrical supply:	voltage	V	220–240	220–240
	frequency	Hz	50/60	50/60
	max. load	VA	7.5	7.5
	standby load	W	0.6	0.6
input:	L1, N	V	220–240	220–240
	max. number of sensors	–	1	1
	sensor cable length	m	0.5	0.25
	max. sensor cable length (extendable)	m	2	2
output:	L' (switched phase)	V	220–240	220–240
	max. switching power	W	500	500
	max. switching power	VA	200	200
	max. number of ballasts	e.g. PC PRO	2	2
	max. inrush current ②	–	100 A / 200 μs	100 A / 200 μs
temperature:	permitted ambient temperature	°C	0 → +60	0 → +60

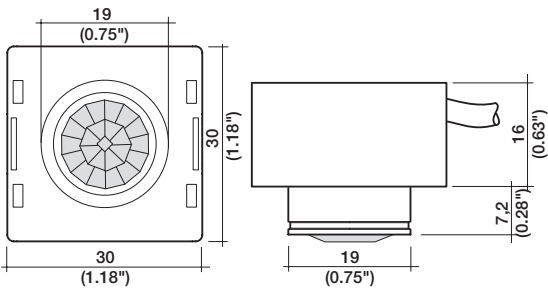
① smartSWITCH is simply a luminaire installation (L) module; it is not suitable for installation in a suspended ceiling.

② depends on mains impedance.



smartSWITCH Sensor

cable entry point on the side



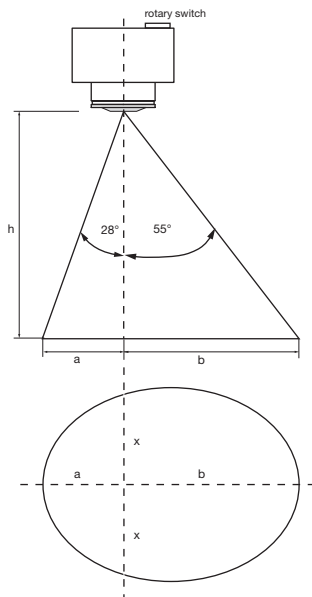
Ultra-compact luminaire mounted sensor for ambient light and detection of movement.

The smartDIM mirror which is available as an accessory enables the detection area of the PIR function to be extended.

The two sensors only differ by the cable entry point.

Light regulation

Light level is being measured via a special photo diode with spectral filter (see diagram below). This allows for precise light level measurement without interference from thermal radiation.

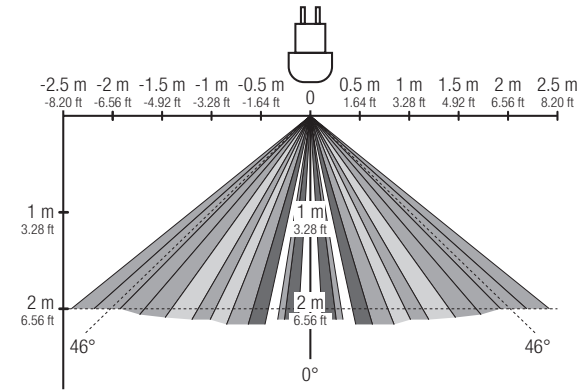


h	a	b	x
1.70 m	0.90 m	2.43 m	1.7
1.90 m	1.01 m	2.71 m	1.9
2.10 m	1.12 m	3.00 m	2.1
2.30 m	1.20 m	3.28 m	2.3
2.50 m	1.33 m	3.57 m	2.5

1 m = 1.094 yd

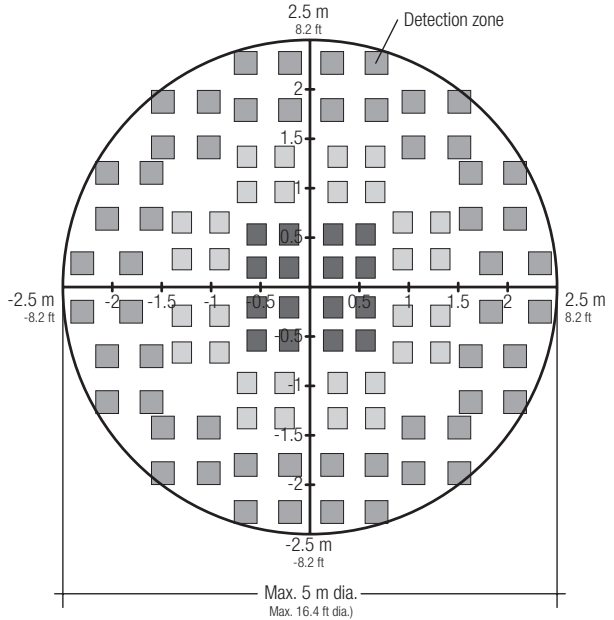
Presence detection

Detection area: 46° (half angle)
 Scope: 2 m / 2.2 yd



max. distance from smartSWITCH sensor to ground 2.5 m / 2.7 yd

X-Y cross section

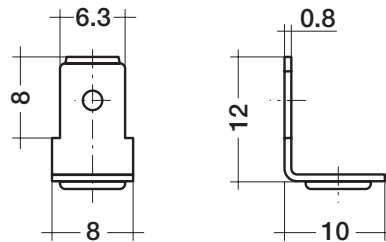


Installation instructions

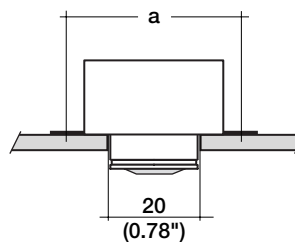
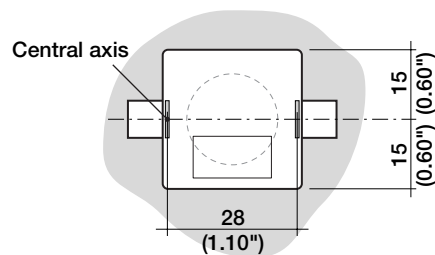
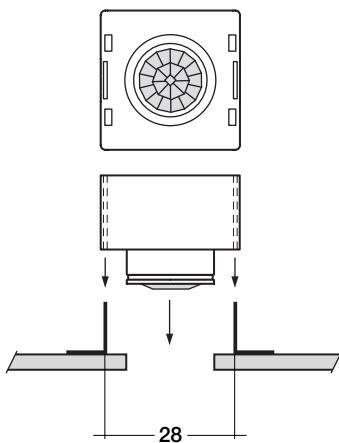
Simple and straight forward installation using a purpose built mounting clamp. These mounting clamps can be inserted into the slots in the sensor housing. The mounting clamps are available in 2 different versions (suitable for screw fix or spot welding).

Mounting clamps are not delivered with the product.

Please refer to www.vogt.ch



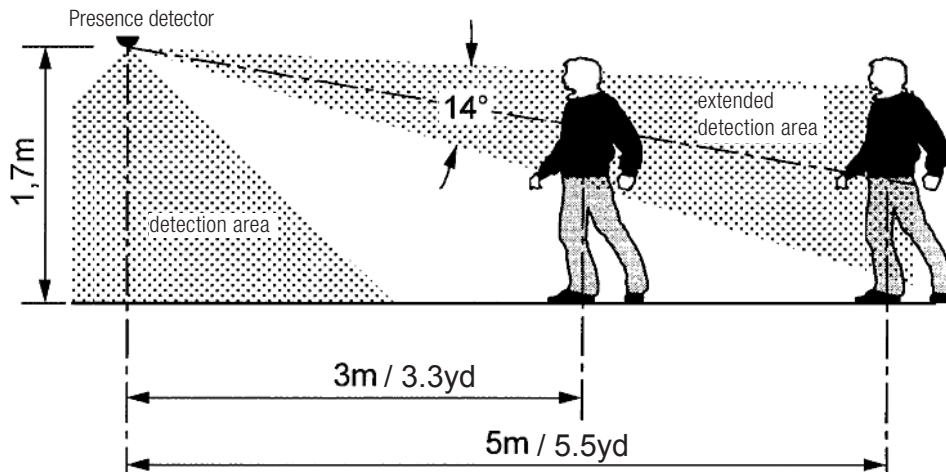
example for weldable mounting clamps
 dimensions in mm (1 mm = 0.039")



Dimension A is dependent on the type of bracket used.

**smartSWITCH accessory:
smartDIM MIRROR**

The clip on smartDIM MIRROR allows the detection area of the PIR sensor to be focused and extended up to 5 m. The mirror will shield one side of the sensor detection zone and therefore reduce sensitivity in that plane.



Accessory	smartDIM MIRROR
Article number:	86454640



① For further technical information please visit www.tridonicatco.com