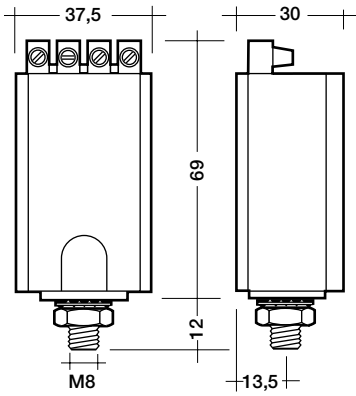


Lamp reignition monitor LRM 500 S



screw terminal 2.5 mm<sup>2</sup>

type		LRM 500 S
article number		87500041
line voltage	V	198–264
frequency	Hz	50–60
max. choke voltage $U_0$	V	800
max. HID lamp wattage	W	1000
auxiliary lamp wattage	W	5–500
max. switched load	VA	200
temperature rise at $U_N = 230$ V	K	< 12
$U_N = 240$ V	K	< 15
losses at $U_N = 230$ V	W	< 1.3
$U_N = 240$ V	W	< 1.6
RFI rating		N
min. operating temperature	°C	-30
max. operating temperature	°C	70
max. tc temperature	°C	90
weight	g	130
average light output at switching	%	> 80

