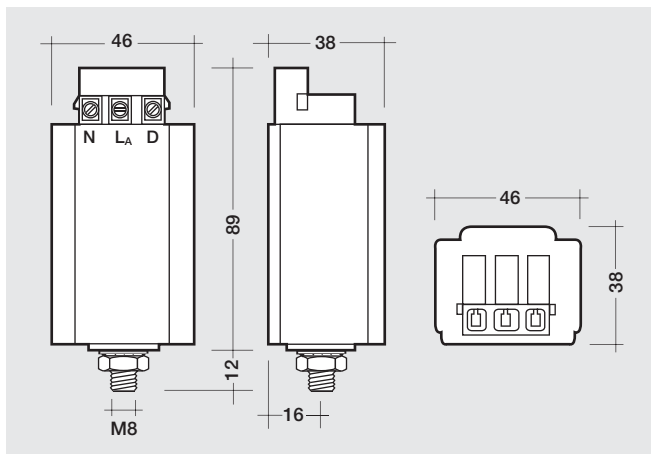




Superimposed pulse ignitors for low pressure sodium lamps



Lamps:

SOX E26/36 W

SOX 35/55 W

type		ZRM 36-LP/B
article number		87500046
line voltage	V	207 – 264
frequency	Hz	50 – 60
ignition voltage	kVs	1,1 – 1,6
max. permissible lamp current IB	A	1,0
ignition current	mA	120
temperature rise at IB = 0,6 A	K	2,0
losses at IB = 0,6 A	W	0,2
impulse width at 900 V	µs	15,0
number of impulses per halfwave		> 8
distance between impulses	ms	< 0,3
phase displacement of ignition impulses	°el	40 – 90
		220 – 270
switch off/on voltage	V	150 – 207
maximum load capacitance	pF	20 – 1000
maximum distance from lamp	m	10
maximum housing temperature	°C	90
minimum operating temperature	°C	- 30
weight	kg	0,26