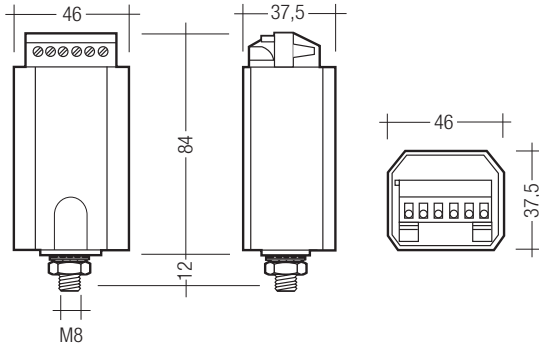


Power Switch ZRM U6L And ZRM U6L/T



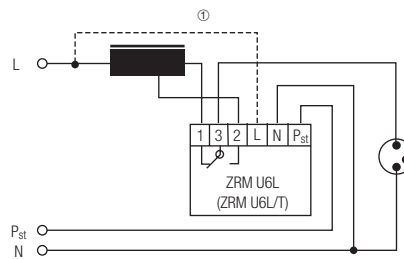
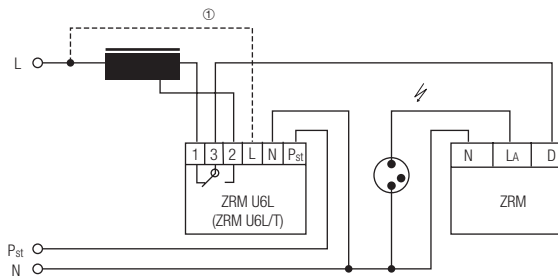
Reduces the light output of MBF and SON lamps by switching between choke-tappings, thus saving energy without reducing lamp life. Lamp manufacturers recommend that the lamp should always be started at 100 %.

The ZRM U6L/T power switch also includes a delay circuit. This ensures that each time the lamp is switched on it is operated at full output for a few minutes (apprx. 330 seconds).

- safety class 2
- When mains power is switched off, Terminal connectors between 1 and 3 are switched. In operation mode 2 and 3 are switched.

**Packaging:**  
40 pieces/box  
800 pieces/pallet

Type		ZRM U6L	ZRM U6L/T
article number		87500039	87500040
max. lamp power HS	w	400	400
max. lamp power HM	w	700	700
supply voltage range	V	198-264	198-264
control voltage range	V	198-264	198-264
frequency	Hz	50/60	50/60
control current	mA	<7	<3
internal losses in reduced mode	W	<0.9	<1.4
internal losses at rated voltage 240V + 10 %	W	<2.5	<3.2
self heating	K	8	9,5
max. housing temperature	°C	80	80
max. ambient temperature	°C	70	70
min. ambient temperature	°C	-30	-30
rated contact voltage	V	250	250
rated contact current at cos phi 0.5	A	6	6
switch over delay	min		5,5
weight	g	185	185



① wiring necessary at U6L/T because of the timer mode