


Magnetic chokes
Compact lamps
EC 21–38 W 240 V 50 Hz

Figure 1:

- $t_w = 130\text{ °C}$
- push terminal 0.5–1.5 mm²

Figure 2:

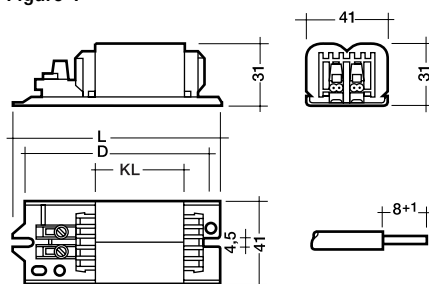
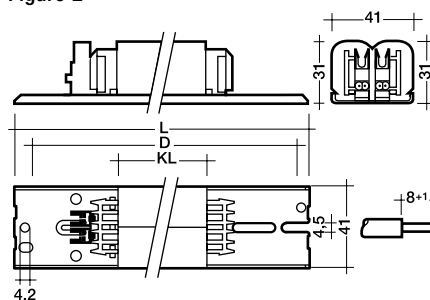
- $t_w = 130\text{ °C}$
- ConCut – IDC terminal 0.5–1.5 mm²
- optimised for automated wiring in luminaires
- authorized for BJB and ALF automatic wiring machines

Packaging core stack length 50 and 54:

5 off, banded
1400 pieces/pallet

Packaging core stack length 90:

5 off, banded
1000 pieces/pallet

Figure 1

Figure 2

Certified:

EN 60921
EN 61347-1
EN 61347-2/8

Lamp			Choke									P. F. Correction			③
watt- age W	type	nominal lamp current A	type	article number	fig.	length L mm	core stack length KL mm	fixing centres D mm	weight kg	ΔT K	λ	parallel compensation capacitor $\mu\text{F} \pm 10\% 250\text{V}$	② line current A	series comp. capacitor $\mu\text{F} \pm 4\%$	

Energy Efficiency Index EEI = B1

21	TC-DD	0.260	EC 21 B502K 240/50	22148767	2	151	50	110–144	0.50	35	0.41	3.0	0.11	–	A
24	TC-L	0.345	EC 18 B502K 240/50	22148765	2	191	90	150–184	0.85	30	0.38	3.5	0.13	–	A
26	TC-D	0.325	EC 18 B502K 240/50	22148765	2	191	90	150–184	0.85	30	0.40	3.5	0.13	–	A
28	TC-DD	0.320	EC 18 B502K 240/50	22148765	2	191	90	150–184	0.85	25	0.44	3.5	0.14	–	A
36	TC-L	0.430	EC 36 B502K 240/50	22148765	2	191	90	150–184	0.85	35	0.42	4.0	0.18	–	A
38	TC-DD	0.430	EC 36 B502K 240/50	22148765	2	191	90	150–184	0.85	30	0.42	4.0	0.19	–	A

Energy Efficiency Index EEI = B2

24	TC-L	0.345	EC 26 LC102K 240/50	20889280	1	110	54	97–105	0.53	50	0.39	4.0	0.13	–	B
24	TC-L	0.345	EC 18 LC502K 240/50	22148708	2	151	54	110–144	0.55	45	0.39	3.5	0.13	–	A
26	TC-D	0.325	EC 18 LC502K 240/50	22148708	2	151	54	110–144	0.55	40	0.42	3.5	0.13	–	A
26	TC-D	0.325	EC 26 LC102K 240/50	20889280	1	110	54	97–105	0.53	50	0.42	3.5	0.14	–	B
28	TC-DD	0.320	EC 18 LC502K 240/50	22148708	2	151	54	110–144	0.55	40	0.46	3.5	0.14	–	A
36	TC-L	0.430	EC 36 LC502K 240/50	22148709	2	151	54	110–144	0.55	55	0.44	4.0	0.22	–	A
38	TC-DD	0.430	EC 36 LC502K 240/50	22148709	2	151	54	110–144	0.55	55	0.46	4.0	0.22	–	A

Energy Efficiency Index EEI = C

24	TC-L	0.345	EC 18 A502K 240/50 ①	22115884	2	151	50	110–144	0.50	50	0.42	3.5	0.14	–	B
26	TC-D	0.325	EC 18 A502K 240/50 ①	22115884	2	151	50	110–144	0.50	45	0.44	3.5	0.14	–	B
28	TC-DD	0.320	EC 18 A502K 240/50 ①	22115884	2	151	50	110–144	0.50	40	0.48	3.5	0.15	–	B
36	TC-L	0.430	EC 36 A502K 240/50 ①	22115890	2	151	50	110–144	0.50	60	0.46	4.0	0.20	–	B
38	TC-DD	0.430	EC 36 A502K 240/50 ①	22115890	2	151	50	110–144	0.50	60	0.48	4.0	0.20	–	B

① no CE marking according to EC Directive 2000/55/EC

② $\cos \varphi > 0.9$

③ A ... standard article

B ... on request