

Magnetic chokes
Linear lamps
EC 58–125 W 240 V 50 Hz

Figure 1

- $t_w = 130\text{ °C}$
- push terminal 0.5–1.5 mm²

Figure 2

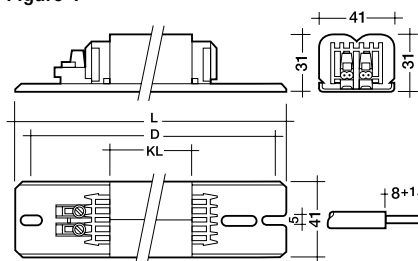
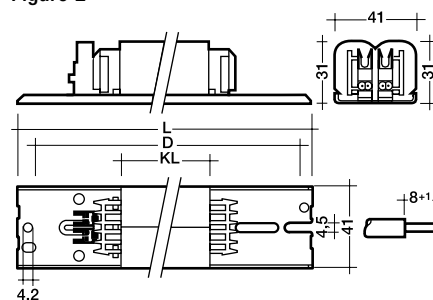
- $t_w = 130\text{ °C}$
- ConCut – IDC terminal 0.5–1.5 mm²
- optimised for automated wiring in luminaires
- authorized for BJB and ALF automatic wiring machines

Packaging figure 1:

5 off, banded
600 pieces/pallet

Packaging figure 2:

5 off, banded
1000 pieces/pallet

Figure 1

Figure 2

Certified:

EN 60921

EN 61347-1

EN 61347-2/8

Lamp				Choke										P. F. Correction			③
watt-age W	length mm	dia-meter mm	nominal lamp strom A	type	article number	fig.	length L mm	core stack length KL mm	fixing centres D mm	weight kg	ΔT K	λ	parallel compensation capacitor $\mu\text{F} \pm 10\%$ 250V	@ line current A	series comp. capacitor $\mu\text{F} \pm 4\%$		

Energy Efficiency Index EEI = B1

58	1500	26	0.67	EC 65 B140 240/50	24076571	1	231	140	210–224	1.3	30	0.44	6	0.33	–	A
65	1500	38	0.67	EC 65 B140 240/50	24076571	1	231	140	210–224	1.3	30	0.48	6	0.34	–	A
U65	765	38	0.67	EC 65 B140 240/50	24076571	1	231	140	210–224	1.3	30	0.48	6	0.34	–	A
70	1800	26	0.7	EC 70 B502K 240/50	22148772	2	191	100	150–184	0.97	45	0.5	6	0.36	–	A
75	1800	38	0.67	EC 70 B502K 240/50	22148772	2	191	100	150–184	0.97	45	0.56	6	0.38	–	A

Energy Efficiency Index EEI = B2

58	1500	26	0.67	EC 58 LC502K 240/50	22119165	2	191	100	150–184	0.958	45	0.46	6	0.3	–	A
58	1500	26	0.67	EC 58 C502K 240/50	22149260	2	191	90	150–184	0.864	50	0.46	6	0.3	–	A
U65 (58)	765	38 (26)	0.67	EC 58 C502K 240/50	22149260	2	191	90	150–184	0.864	50	0.46	6	0.3	–	A
U65 (58)	765	38 (26)	0.67	EC 58 LC502K 240/50	22119165	2	191	100	150–184	0.958	45	0.51	6	0.3	–	A
70	1800	26	0.7	EC 70 C502K 240/50	22148773	2	191	90	150–184	0.876	50	0.55	6	0.38	–	A
75	188	38	0.67	EC 70 C502K 240/50	22148773	2	191	90	150–184	0.876	45	0.51	6	0.38	–	A

Energy Efficiency Index EEI = C

58	1500	26	0.67	EC 58 A502K 240/50 ①	22115878	2	191	90	150–184	0.85	55	0.46	6	0.33	–	B
65	1500	38	0.67	EC 58 A502K 240/50 ①	22115878	2	191	90	150–184	0.85	55	0.46	6	0.36	–	B
U65	765	38	0.67	EC 58 A502K 240/50 ①	22115878	2	191	90	150–184	0.85	55	0.51	6	0.36	–	B
100	1800	38	0.98	EC 100 A140 240/50	24076635	1	231	140	210–224	1.3	60	0.51	10	0.5	–	A
100	2400	38	0.96	EC 100 A140 240/50	24076635	1	231	140	210–224	1.3	60	0.5	8.4	0.53	–	A
125	2400	38	0.94	EC 125 A140 230/240/50	24076641	1	231	140	210–224	1.3	55	0.60c	–	–	7.2/440V	A

① no CE marking according to CELMA Directive 2000/55/EC

 ② $\cos \varphi > 0.9$

③ A ... standard article

B ... on request