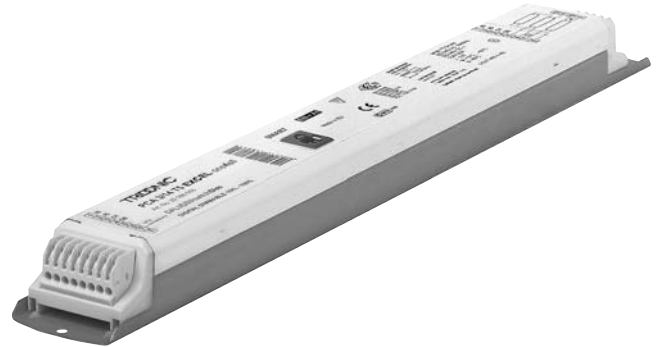
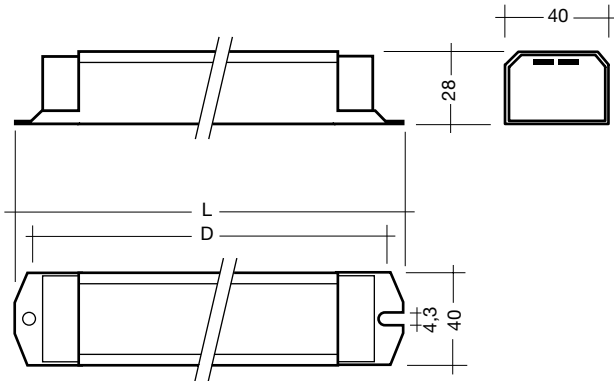


Electronic ballasts for dimming to 10 %  
Linear lamps T5, 16 mm / linear lamps T8, 26 mm

PCA 3/14 T5 EXCEL one4all / 4/14 T5 EXCEL one4all 220–240 V 50/60/0 Hz, dimmable  
PCA 3/18 EXCEL one4all / 4/18 EXCEL one4all 220–240 V 50/60/0 Hz, dimmable



- dimming range from 10–100 %
- lamp start at 10 %
- lamp friendly warm start within 1.5 s with AC and 0.6 s with DC
- switch via the mains or with digital control signal
- dimming which is comfortable to the eye
- disturbance free precise control with a digital signal (**DSI**), **switchDIM** or **DALI** (digital addressable lighting interface)
- error feed back and programmable features in both DALI and DSI mode
- integrated SMART interface
- fully electronic lamp management and digital communication with ASIC and  $\mu\text{C}$
- constant light output independent of fluctuating supply voltage
- DC operation in emergency lighting installations to VDE 0108
- safe shutdown of defective lamps
- safe shutdown of lamps at end of life (rectifying effect)
- automatic restart after lamp replacement
- operating frequency  $\sim 40\text{--}100\text{ kHz}$

**Packaging:**  
box of 20  
30 boxes/pallet  
600 pieces/pallet

**Certified:**  
EN 55015  
EN 55022  
EN 60929  
EN 61000-3-2  
EN 61347-2-3  
EN 61547  
in accordance with VDE 0108

Lamp		Ballast										
wattage W	length	type	article number	length L mm	fixing centres D mm	weight kg	circuit power W ③	lamp power W ③	current at 230V/50Hz A ③	$\lambda$ at 230V/50Hz	tc point °C	temperature range °C
3x14	550	PCA 3/14 T5 EXCEL 220–240V 50/60/0Hz	22086658	360	340–350	0.38	51.6	3x14	0.23	0.98	80	+10 → +50①
4x14	550	PCA 4/14 T5 EXCEL 220–240V 50/60/0Hz	22086677	360	340–350	0.40	66.5	4x14	0.32	0.98	80	+10 → +60①
3x18	590	PCA 3/18 EXCEL 220–240V 50/60/0Hz	22086715	360	340–350	0.38	57.7	3x16	0.26	0.97	75	-25 → +50②
4x18	590	PCA 4/18 EXCEL 220–240V 50/60/0Hz	22086699	360	340–350	0.40	77.5	4x16	0.34	0.99	80	-25 → +60②

- ① dimming to 10 % between 10 °C to  $t_a$  max.  
② dimming to 10 % between 0 °C to  $t_a$  max.  
③ valid at 100 % light output

**Lamp starting characteristics:**

Warm start  
Starting time 1.5 s with AC  
Starting time 0.6 s with DC  
Start at any dimming level

**AC operation:**

Mains voltage  
220–240 V 50/60 Hz  
198–264 V 50/60 Hz including safety tolerance ( $\pm 10\%$ )  
202–254 V 50/60 Hz including performance tolerance (+6% / -8%)

**DC operation:**

220–240 V 0 Hz  
198–280 V 0 Hz certain lamp start  
176–280 V 0 Hz operating range  
Use in emergency lighting installations according to VDE 0108 or for emergency luminaires according to EN 61347-2-3 appendix J.

**Temperature range:**

- PCA 3/14 EXCEL / PCA 4/14 EXCEL:  
Dimming operation (100 % to 10 %) and 100 % operation from 10 °C to maximum permissible ambient temperature.
- PCA 3/18 EXCEL / PCA 4/18 EXCEL:  
Dimming operation (100 % to 10 %) from 0 °C and 100 % operation from -25 °C to maximum permissible ambient temperature.

**Mains currents in DC operation:**

Ballast Type	Mains current at	
	$U_n = 220$ VDC	$U_n = 240$ VDC
PCA 3/14 T5 EXCEL 220–240V 50/60/0Hz	0.19 A	0.17 A
PCA 3/18 EXCEL 220–240V 50/60/0Hz	0.21 A	0.19 A
PCA 4/14 T5 EXCEL 220–240V 50/60/0Hz	0.25 A	0.23 A
PCA 4/18 EXCEL 220–240V 50/60/0Hz	0.27 A	0.25 A

**Light output level in DC operation:**

Programmable from 10 % to 70 %  
Programming by extended DSI signal (16 bit)  
Default value is 70 %  
In DC operation dimming is not possible

**Ballast lumen factor AC operation (AC-BLF) EN 60929 8.1:**

Ballast Type	AC-BLF at	
	$U_n = 230$ VAC	$U_n = 254$ VAC
PCA 3/14 T5 EXCEL 220–240V 50/60/0Hz	0.98	
PCA 3/18 EXCEL 220–240V 50/60/0Hz	1.01	
PCA 4/14 T5 EXCEL 220–240V 50/60/0Hz	1.02	
PCA 4/18 EXCEL 220–240V 50/60/0Hz	1.03	

The ballast lumen factor for AC operation (AC-BLF) does not alter from  $U_n = 198$  VAC to  $U_n = 254$  VAC.

The ballast lumen factor for DC operation (DC-BLF) on the basis of an automatic power reduction of the ballasts (default value is 70 %) will be smaller than AC. It does not alter in the DC operating range (198–280 VDC).

**Harmonic distortion in the mains supply (at 220 V/50 Hz):**

Ballast Type	THD	THD (%)				
		3	5	7	9	11
PCA 3/14 T5 EXCEL 220–240V 50/60/0Hz	8.6	8.0	2.7	1.9	1.5	1.2
PCA 3/18 EXCEL 220–240V 50/60/0Hz	9.5	8.8	3.1	2.0	1.4	1.1
PCA 4/14 T5 EXCEL 220–240V 50/60/0Hz	8.1	7.5	2.6	1.6	1.1	0.7
PCA 4/18 EXCEL 220–240V 50/60/0Hz	7.6	7.0	2.6	1.7	1.1	0.7

**Dimming:**

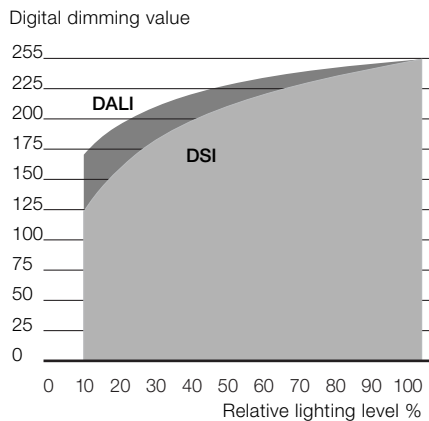
Dimming range 10 % to 100 %

Digital control with:

- DSI signal: 8 bit Manchester Code  
Maximum speed 10 % to 100 % in 0.9 s
  - DALI signal: 16 bit Manchester Code  
Maximum speed 10 % to 100 % in 0.35 s
- Programmable parameter:  
Minimum dimming level  
Maximum dimming level  
Default minimum = 10 %  
Programmable range  $10\% \leq \text{MIN} \leq 49\%$   
Default maximum = 100 %  
Programmable range  $100\% \geq \text{MAX} \geq 50\%$

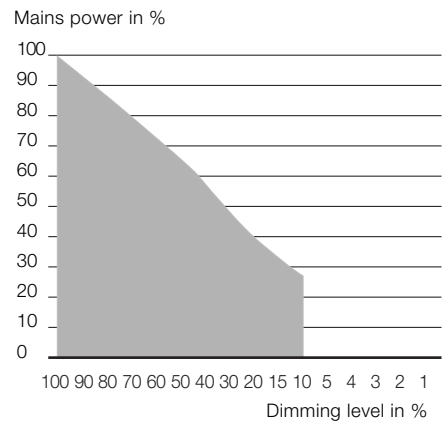
Dimming curve that is friendly to the eye.

**Dimming characteristics PCA EXCEL**



Dimming characteristics as seen by the human eye

**Energy Savings PCA EXCEL**



**Control input (DA/D1, DA/D2):**

Digital DALI/DSI signal or switchDIM can be wired on the same terminals (DA/D1 and DA/D2).

**Digital signal DALI/DSI:**

The control input is non-polar and protected against accidental connection with a mains voltage up to 264V. The control signal is not SELV. Control cable should be installed in accordance to the requirements of low voltage installations.

Different functions depending on each control module.

**SMART interface:**

An additional interface for the direct connection of the SMART-LS light sensor. The sensor registers actual ambient light and maintains the individually defined lux level.

After every mains reset the SMART interface automatically checks for an installed sensor. With the sensor installed the PCA EXCEL automatically runs in the constant lux level mode.

ON/OFF-Switch via mains, switchDIM or DALI/DSI signal.

DALI/DSI signal = 0 switches off,  
DALI/DSI signal  $\geq 1$  switches on.

Dimming with DALI or a DSI signal with the SMART-LS installed is not possible. switchDIM enables a temporary change of light level.

The installation of the two wire bus is according to the appropriate low voltage regulations.

**switchDIM:**

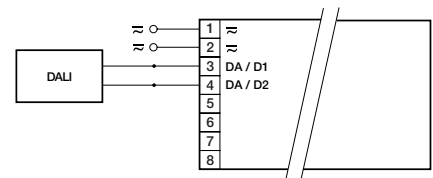
Integrated switchDIM function allows a direct connection of a push to make switch for dimming and switching.

Brief push (< 0.6 s) switches ballast ON and OFF. The ballasts switch-ON at light level set at switch-OFF.

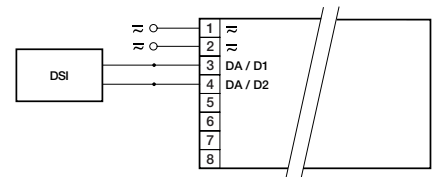
When the push to make switch is held, PCA ballasts are dimmed. After repush the PCA is dimmed in the opposite direction.

In installations with PCAs with different dimming levels or opposite dimming directions (e.g. after a system extension), all PCAs can be synchronized to 50 % dimming level by a 10 s push.

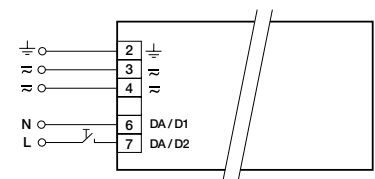
Use of push to make switch with indicator lamp is not permitted.



DALI PCA EXCEL one4all



DSI PCA EXCEL one4all



switchDIM PCA EXCEL one4all

**Loading of automatic circuit breakers:**

Automatic circuit

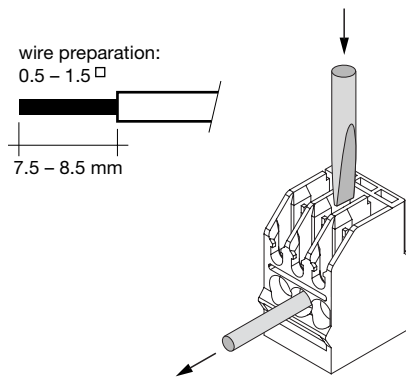
breaker type	C10	C13	C16	C20	B10	B13	B16	B20
Installation $\varnothing$	1.5 mm <sup>2</sup>	1.5 mm <sup>2</sup>	1.5 mm <sup>2</sup>	2.5 mm <sup>2</sup>	1.5 mm <sup>2</sup>	1.5 mm <sup>2</sup>	1.5 mm <sup>2</sup>	2.5 mm <sup>2</sup>
PCA 3/14 T5 EXCEL	16	26	34	42	8	13	17	21
PCA 3/18 EXCEL	16	18	24	30	8	9	12	15
PCA 4/14 T5 EXCEL	16	24	34	38	8	12	17	19
PCA 4/18 EXCEL	12	16	24	28	6	8	12	14

**Installation instructions:**

**Wiring type and cross section:**

The wiring can be solid cable with a cross section of 0.5 to 1.5 mm<sup>2</sup> for push terminal and 0.5 mm<sup>2</sup> for concut terminal. For the push-wire connection you have to strip the insulation (7.5–8.5 mm).

$U_{out} = 400\text{ V } 400$



**RFI:**

- Connection to the lamps of the hot leads must be kept as short as possible
- Mains leads should be kept apart from lamp leads (ideally 5–10 cm distance)
- Do not run mains leads adjacent to the electronic ballast
- Twist the lamp leads
- Keep the distance of lamp leads from the metal work as large as possible
- Ballast must be earthed
- Mains wiring to be twisted when through wiring
- Keep the mains leads inside the luminaire as short as possible

**Important advise:**

- When using two or more dimmable ballasts in one luminaire with separate dimming controls, the lamp leads must be kept separate
- All lamps must have the same length lead

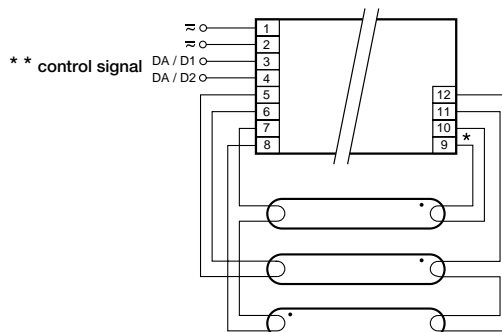
**Wiring advice:**

The lead length is dependent on the capacitance of the cable.

Ballast Type	Terminal		Maximum capacitance allowed	
	Cold	Hot	Cold	Hot
PCA 3/xx EXCEL	5, 6, 7, 8, 11, 12	9, 10	200 pF	100 pF
PCA 4/xx EXCEL	5, 6, 7, 8, 11, 12, 13, 14	9, 10, 15, 16	200 pF	100 pF

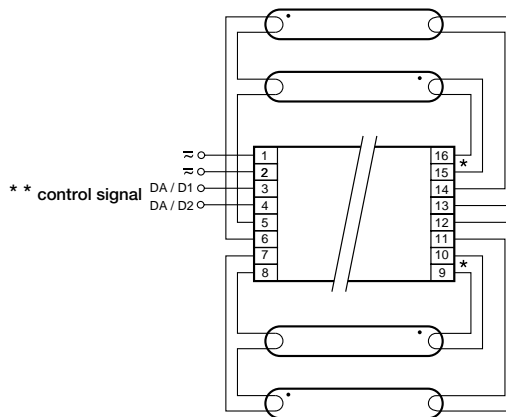
With standard solid wire 0.5/0.75 mm<sup>2</sup> the capacitance of the lead is 30–80 pF/m. This value is influenced by the way the wiring is made.

Lamp connection should be made with symmetrical wiring. Hot leads (9, 10, 15, 16) and cold leads (5, 6, 7, 8, 11, 12, 13, 14) should be separated as much as possible.



- \* leads 9, 10: keep wires short, max. 1.0 m
- leads 5, 6, 7, 8, 11, 12: max. 2.0 m; ballast must be earthed
- \*\* digital signal (DALI/DSI) or switchDIM

PCA EXCEL one4all 3/14W, 3/18W



- \* leads 9, 10, 15, 16: keep wires short, max. 1.0 m
- leads 5, 6, 7, 8, 11, 12, 13, 14: max. 2.0 m; ballast must be earthed
- \*\* digital signal (DALI/DSI) or switchDIM

PCA EXCEL one4all 4/14W, 4/18W