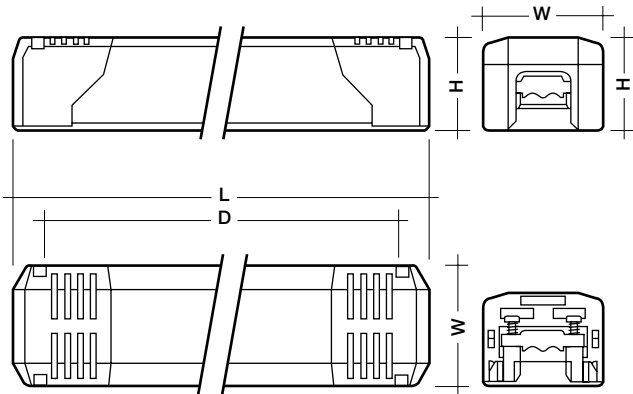




TE 0150 one4all sc 150 VA 230–240/12 V 50/60 Hz



- dimming range 1–100 %
- disturbance free, precise control with one4all interface: DALI, DSI, switchDIM
- error feed back and programmable features in both DALI and DSI mode
- lamp wattage 50–150 VA
- short-circuit switch-off with automatic restart
- protection against overheating and overload through regulation of output power with automatic reset

- protection class 2
- protection rating IP 20
- integrated strain-relief and terminal cover
- looping on primary side possible
- 8 pole terminal block on secondary side
- individually packed with installation instructions
- DC operation possible, for use in emergency installations according to VDE 0108
- corridorFUNCTION

**Packaging:**  
box of 10  
60 boxes/pallet  
600 pieces/pallet

**designed according to:**  
EN 55015  
EN 61000-3-2  
EN 61047  
EN 61347-2-2  
EN 61547

type		TE 0150 one4all sc 230–240/12 V 150 VA
article number		86457874
primary voltage	V AC	230–240
primary voltage	V DC	230–240
input current at 230 V/50 Hz ①	A	0.61
frequency	Hz	0/50/60
secondary voltage ①	V	11.8
lamp wattage	VA	50–150
power reduction at DC	%	70
efficiency	%	> 95
power factor	λ	> 0.95
frequency of output	kHz	33
ambient temperature ta	°C	-25 to +50
rated max. temperature tc	°C	90
softstart		yes
dimming		DALI/DSI/switchDIM
dimensions L x W x H	mm	207 x 46 x 40
fixing centres D	mm	170–174
weight	kg	0.29
secondary terminal		8 pole

① valid at 100 % dimming level

**Dimming:**

Dimming range 1 % to 100 %

Digital control with:

- DSI signal: 8 bit Manchester Code  
Maximum speed 1 % to 100 % in 1.4 s
  - DALI signal: 16 bit Manchester Code  
Maximum speed 1 % to 100 % in < 0.7 s
- Programmable parameters:  
Minimum dimming level  
Maximum dimming level  
Programmable range  
 $1\% \leq \text{MIN} \leq \text{MAX} \leq 100\%$   
Default minimum = 1 %  
Default maximum = 100 %

Dimming curve is adapted to eye sensitivity.

**Control input (DA/D1/D2):**

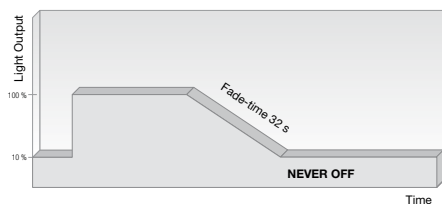
Digital DALI/DSI signal or switchDIM can be wired on the same terminals DA/D1/D2.

The control input is non-polar and protected against accidental connection with a mains voltage up to 264 V. The control signal is not SELV. Control cable should be installed in accordance to the requirements of low voltage installations. Different functions depending on control modules.



**corridorFUNCTION**

In the default delivery status the corridorFUNCTION is in the standard profile „never off“.



To activate the corridorFUNCTION without using software a voltage of 230 V simply has to be applied for five minutes at the switchDIM connection. The unit will then switch automatically to the corridorFUNCTION.

Note: If the corridorFUNCTION is wrongly activated in a switchDIM system (for example a switch is used instead of pushbutton), there is the option of installing a pushbutton and deactivating the corridorFUNCTION mode by five short pushes of the button within three seconds.

To program the corridorFUNCTION by means of software a DALI-USB interface is needed in combination with a DALI PS. The software can be either the configTOOL or the corridorFUNCTION CONFIGURATOR.

For further information (e.g. the amortisation calculator) go to [www.corridorfunction.com](http://www.corridorfunction.com).

**switchDIM:**

Integrated switchDIM function allows a direct connection of a push to make switch for dimming and switching.

Brief push (50–600 ms) switches transformers ON and OFF. The transformers switch-ON at light level set at switch-OFF.

When the push to make switch is held, TE one4all are dimmed. After repush the TE one4all is dimmed in the opposite direction. In installations with TE one4all with different dimming levels or opposite dimming directions (e.g. after a system extension), all TE one4all can be synchronized to 50 % dimming level by a 10 s push. The dimming direction will be “down” for the next push.

**Programming:**

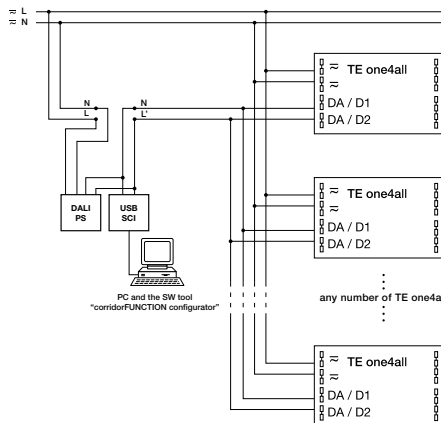
With appropriate software and a USB interface different functions can be activated and various parameters can be configured. All that is needed is a DALI-USB and the software.

**configTOOL**

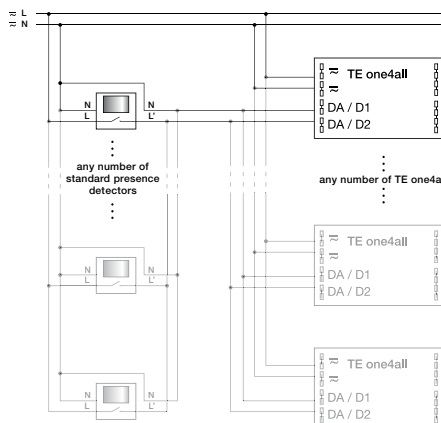
Full version for programming all the functions and parameters.

**corridorFUNCTION CONFIGURATOR**

For activating and deactivating the corridorFUNCTION and for project-specific programming.



Wiring diagramm for programming



Wiring diagramm for corridorFUNCTION

**Light output level in DC operation:**

Programmable from 1 % to 70 %

Programming by extended DSI signal (16 bit) via eDSI.

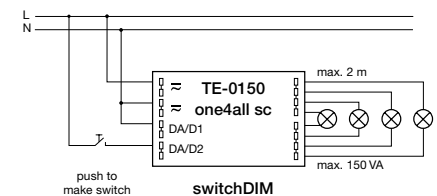
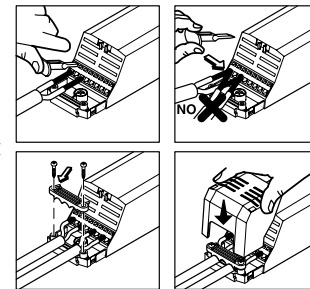
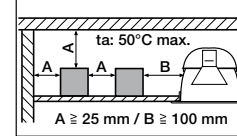
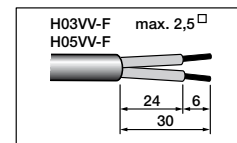
Default value is 70 %

In DC operation dimming is not possible.

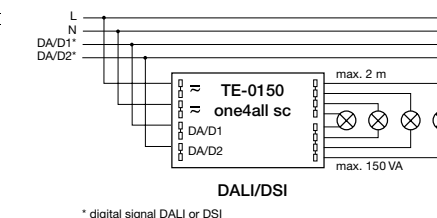
**Error feedback:**

- DSI signal:  
lamp failure (open circuit, short-circuit)
- DALI signal:  
lamp failure (open circuit, short-circuit)  
thermal switch off

**Installation instructions:**



push to make switch switchDIM



DALI/DSI \* digital signal DALI or DSI

**Loading of automatic circuit breakers (B, C, K):**

Automatic circuit breaker type	10 A	13 A	16 A	20 A
Installation Ø	1.5 mm <sup>2</sup>	1.5 mm <sup>2</sup>	1.5 mm <sup>2</sup>	2.5 mm <sup>2</sup>
TE-0150 one4all sc	14	18	23	29