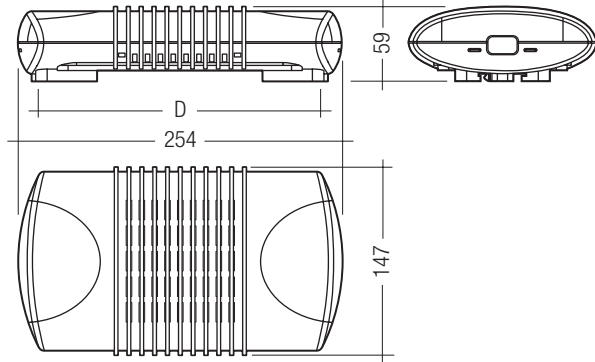




TE-DC 2 100–300 VA 230–240/12V 0/50/60 Hz



* applies only to TE-DC 2 0300 D101 one4all



- short-circuit switch-off with automatic restart
- overtemperature switch-off with automatic restart
- safety class 2
- for remote mounting
- double assignments of terminals possible
- individually packed with installation instructions
- integrated strain relief and terminal cover

- tool free assembly of the strain relief
- constant output voltage
- DC operation possible, for use in emergency installations according to VDE 0108
- suitable for cable lengths up to 20 m
- very low noise level, also with dimming
- Intelligent Voltage Guard
- integrated intelligent current guard

Packaging:
 box of 10
 12 boxes/pallet
 120 pieces/pallet

Standards:
 EN 55015
 EN 61000-3-2
 EN 61046
 EN 61047
 EN 61547

Type		TE-DC 2 0300 F101 300 VA	TE-DC 2 0300 D101 one4all 300 VA
article number white housing		86458505	86458498
article number gray housing		86458503	86458469
primary voltage range	V _{AC}	230–240	230–240
primary voltage range	V _{DC}	230–240	230–240
max. input current at 230V 50Hz	A	1.45	1.45
frequency	Hz	0/50/60	0/50/60
secondary voltage	V	11.9 ①	11.9 ①
wattage	VA	100–300	100–300
power reduction at DC	%	70	70
efficiency	%	> 90	> 90
power factor	λ	> 0.99	> 0.99
power circuit		digital	digital
ambient temperature t _a	°C	-20 → +35	-20 → +35
rated max. temperature t _c	°C	100	100
thermal protection		yes	yes
softstart		yes	yes
dimming		not provided (fixed output)	DSI, DALI, switchDIM – single push to make switches
dimensions LxWxH	mm	254 x 147 x 59	254 x 147 x 59
fixing centres (D)	mm	218–226	218–226
weight	kg	0.8	0.8
secondary terminal		2-pole, screw terminal	2-pole, screw terminal
max. torque at terminal	Nm	1.5	1.5

① constant output voltage

Data secondary terminal:

possible Wiring

Clamping area	0.33 ... 16.00 mm ²
Single wire /H05(07) V-U	0.5 ... 16.00 mm ²
braided wire /H05(07) V-K	0.5 ... 10.00 mm ²
braided wire /DIN 46228-1	2.5 ... 10.00 mm ²
braided wire /DIN46228-4	2.5 ... 10.00 mm ²
plug gage /EN 60999	Ø 5.3 (B6)



Definiton plug gage:

Conductor cross-section		Plug gauge						
		Form A			Form B			
Flexible conductor	Rigid conductor (solid or stranded)	Designation	Diameter a	Width b	Designation	Diameter a	Permissible deviation for a and b	
1.5 mm ²	1.5 mm ²	A1	2.4 mm	1.5 mm	B1	1.9 mm	0 – 0.05 mm	
2,5 mm ²	2.5 mm ²	A2	2.8 mm	2.0 mm	B2	2.4 mm		
2,5 mm ²	4 mm ²	A3	2.8 mm	2.4 mm	B3	2.7 mm		
4 mm ²	6 mm ²	A4	3.6 mm	3.1 mm	B4	3.5 mm	0 – 0.06 mm	
6 mm ²	10 mm ²	A5	4.3 mm	4.0 mm	B5	4.4 mm		
10 mm ²	16 mm ²	A6	5.4 mm	5.1 mm	B6	5.3 mm		