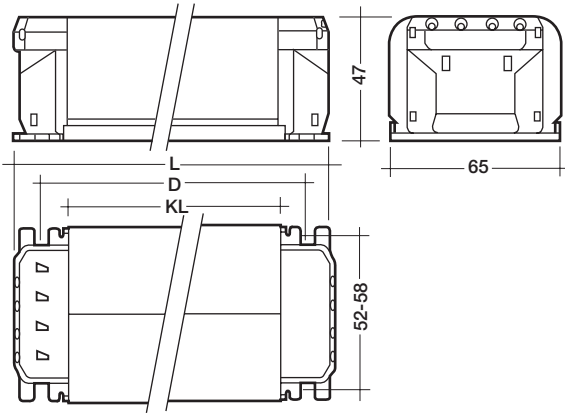




**TMBB 50–75 VA 240/11.5 V**

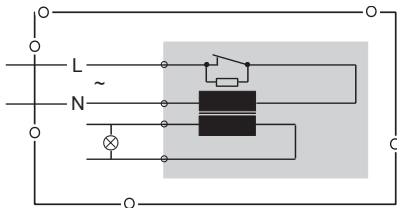


- insulation class H
- primary/secondary spring terminals for solid 0.5–1.5 mm<sup>2</sup> and flexible 0.75–1.5 mm<sup>2</sup> wire, for flexible wires with wire end ferrules with a diameter of max. 1.6 mm
- reversible protection against short circuit, overload and over temperature

**Packaging:**  
box of 10  
48 boxes/pallet  
480 pieces/pallet

**Certified:**  
EN 61558

lamp load VA	type	article number	switch off temperature °C	length L mm	fixing centres D mm	core stack length KL mm	weight kg	UL/U0 %	losses W	primary current mA	max. permitted ambient temperature
50–75	TMBB 75 B352W 240/11.5V 50/60Hz	22117566	160	76	60.5	40	1.02	87	11.2	332	90°C



Transformer with current sensitive thermal cut-out